

PRODUCT CATALOG & TRIM DETAILS VOL. 2



RUSH RIVER
steel & trim



We are excited to be in this industry & look forward to working with you!

OUR HISTORY

Rush River Steel & Trim has been in the metal fabricating business for over a decade. In 2001 we began with fabricating commercial truck parts and high end OEM parts for local manufactures.

In early 2011 we decided to expand our metal fabricating capabilities and began manufacturing corrugated steel & trim for the commercial, agriculture and residential market.

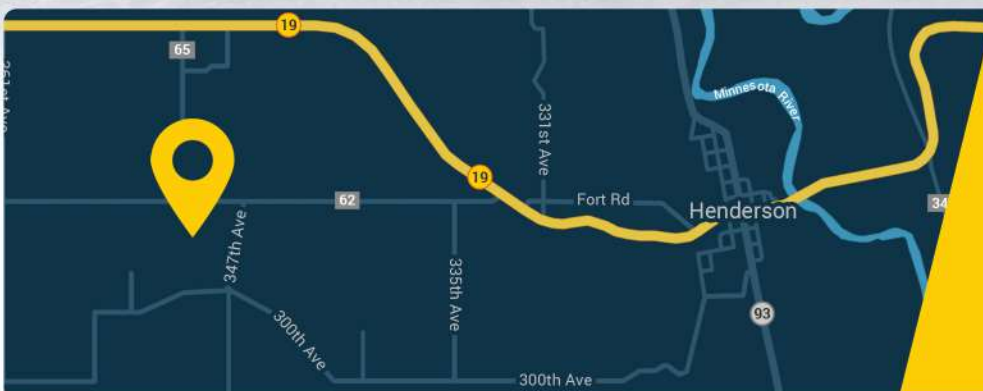
WHAT WE DO

Founded in 2011, Rush River Steel & Trim is a family/church owned business. We are committed to serving our regional area with high quality steel panels and trim for the commercial, agricultural and residential market.

We manufacture two high quality panels, Tuff Rib (29 gauge) and PBR Panel (26 gauge). We also provide trims, closures and a wide range of accessories to finish any steel building project.

COMPANY VALUES

- ✓ **Integrity**
Adherence to Godly standards of honesty, soundness, fairness and professionalism.
- ✓ **Excellence**
Superiority in performance
- ✓ **Accountability**
To assume responsibility to obligation and commitment
- ✓ **Service**
Committed to providing excellent service with a quick turnaround.



OUR LOCATION

35227 290th Street,
Henderson, MN 56044
507.248.3577



TABLE OF CONTENTS

SECTION 1 Flashing Components, Dimensions & Applications

- 10 RR1A J Trim
- 10 RR1B Soffit J Trim
- 10 RR2 7/8 Double J Trim
- 10 RR3 Double J Soffit
- 11 RR4 Door Header Trim
- 11 RR5 Base Molding
- 11 RR6 Rat Guard
- 11 RR7 Angle Flashing
- 12 RR8 Double Angle
- 12 RR9A F Trim
- 12 RR9B Soffit F Channel
- 12 RR10 Ribbed Rake / Corner Flashing
- 13 RR11 Rake / Corner Flashing
- 13 RR12 Inside Corner
- 13 RR13 5" Classic Corner Trim
- 13 RR14 Classic Rake
- 14 RR15 Ridge Cap 14"
- 14 RR16 Ridge Cap 20"
- 14 RR17 Hip Ridge Cap
- 15 RR18 Monoslope Ridge
- 15 RR19 Valley Trim
- 15 RR20 Special Valley
- 15 RR21A Transition Flashing
- 15 RR21B Dormer Trim
- 16 RR22 Gambrel
- 16 RR23 Eave Trim
- 16 RR24 Gutter Apron
- 16 RR25 Rake & Gable
- 17 RR26 Roof Drip Flashing
- 17 RR27A Fascia Trim
- 17 RR27B Post Trim
- 17 RR28 Box End Fascia
- 17 RR29 Snow Guard
- 18 RR30 Drip Cap
- 18 RR31 Universal Sidewall
- 18 RR32 Door Jamb Trim
- 18 RR33 Framing Closure
- 19 RR34 Overhead Door Trim
- 19 RR35 Overhead Door w/ Drip
- 19 RR36 Brick Mold Cover
- 19 RR37 Hem Flashing
- 19 RR38 Soffit Divider
- 20 RR39 Square Track Cover
- 20 RR40 Track Board Cover
- 20 RR41A Track Round Top Mount
- 20 RR41B Track Round Side Mount
- 21 RR42 Outside Trim
- 21 RR43 Riglet Flashing
- 21 RR44 Brick Flashing
- 21 RR45 12" Hog Barn Soffit
- 22 RR60 Commercial Base
- 22 RR61 Commercial Double Angle
- 22 RR62 Commercial Door Header 1-3/8
- 22 RR63 Commercial J-Trim
- 22 RR64 Commercial Outside Corner
- 23 RR65 Commercial Rake
- 23 RR66 Commercial Jamb
- 23 RR67 Commercial Rat Guard
- 23 RR68 Commercial Base Moulding
- 24 RR69 Commercial Eave
- 24 RR70 Commercial Short Eave
- 24 RR71 Commercial Universal Sidewall
- 24 RR72 Commercial Inside Corner Trim
- 25 RR73 Commercial Standard Gutter
- 25 RR74A Commercial Open Downspout
- 25 RR74B Commercial Closed Downspout

SECTION 2

Detail Overview

- 26 Detail Overview
- 28 A Base Molding
- 29 B1 Eave
- 30 B2 Residential Vented Eave
- 31 C Inside Corner
- 32 D Outside Corner
- 33 E Dormer Trim
- 34 F Ridge / Peak Non-Vented
- 35 G1 Box Gable / Rake and Corner
- 36 G2 Gable / Rake and Corner
- 37 H Snow Guard
- 38 I Valley Flashing
- 39 J Gutter Apron
- 40 K1 Soffit Flashing
- 40 K2 Aluminum Soffit / Tuff Rib Soffit Panel
- 42 L1 Door Header Drip Cap
- 43 L2 Overhead Door Jamb
- 44 M1 Sliding Door Jamb
- 45 M2 Sliding Door Header
- 46 M3 Sliding Door Base
- 47 N Door Jamb
- 48 O1 Window Still
- 49 O2 Window Header
- 50 O3 Window Jamb
- 51 P Transition Flashing
- 52 Q Universal Sidewall
- 53 R Dormer Valley
- 54 S Gambrel (not shown)
- 55 T Monoslope Ridge (not shown)
- 56 U Double Angle

SECTION 3

Accessories & Warranty

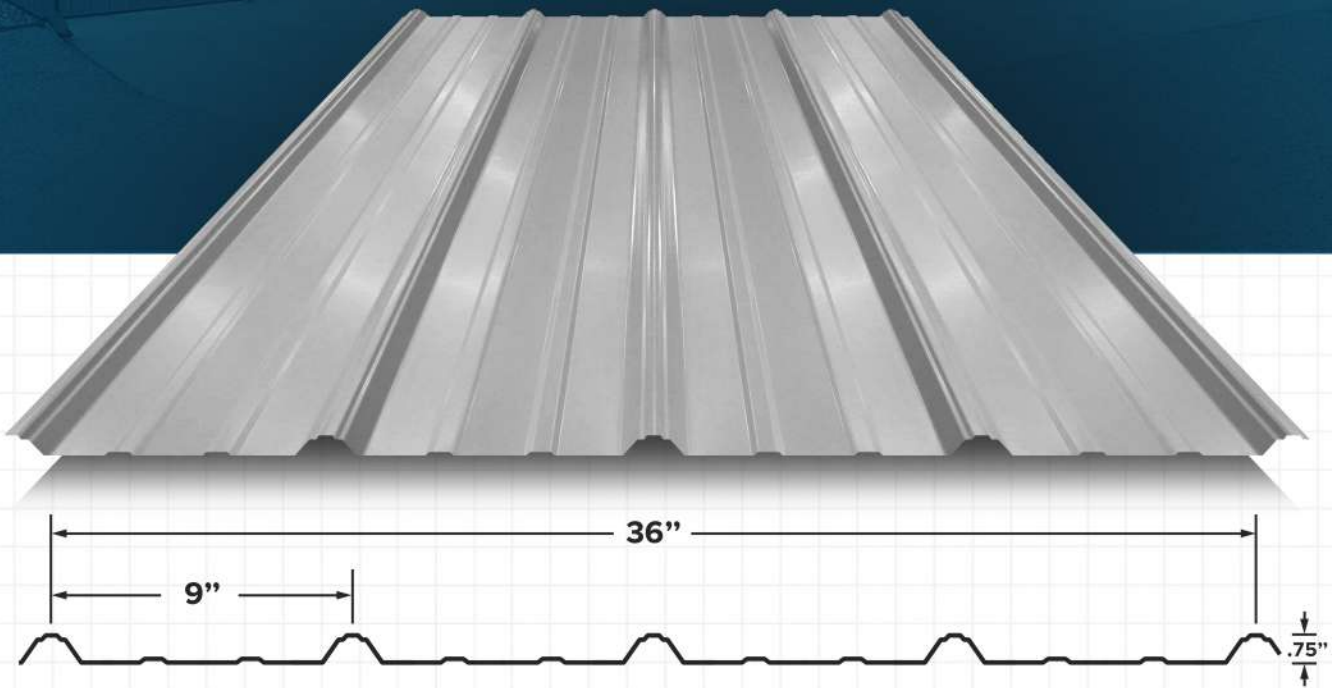
- 58 Metal to Wood Fasteners
- 59 Metal to Metal Fasteners
- 60 Metal to Metal Fasteners
- 61 Wood Screws
- 62 Ridge Vents
- 63 Cupolas and Weathervanes
- 64 Bubble Foil Insulation
- 65 Touch Up Paint Markers | Roof Sealant
- 66 Windows Post Frame
- 67 Doors
- 68 Doors
- 69 Overhead Doors
- 70 Sliding Door
- 71 Track and Accessories
- 72 Sliding Doors Accessories
- 73 Snow Defender
- 74 Snow Defender
- 75 Vented Closure | Panel Accessories
- 76 Synthetic Underlayment
- 77 Pipe Flashing
- 78 Corrugated Polycarbonate Sheet
- 79 Miscellaneous Hardware
- 80 Installation Instructions



TUFF-RIB PANEL

COMES IN CUSTOM LENGTHS UP TO 50'

30 Standard Colors



Panel Specs

- 36" panel coverage
- 3/4" high rib
- Bell top trapezoidal rib on 9" centers
- Exposed fastened, low profile panel
- Applies over open framing or solid substrate
- Minimum roof slope: 3:12
- 30 colors available
- Drip Stop felt available

Testing & Approvals

- UL790, Class A Fire Resistance
- UL2218 Class 4 Impact Resistance
- ASTM E 1646 Water Infiltration

Paint Specs

- BeckryTech Highly Durable Polyester System by Becker Paints
- All colors Energy Star approved
- The textured BeckryTech finish is available in 10 leading colors

Substrate Specs

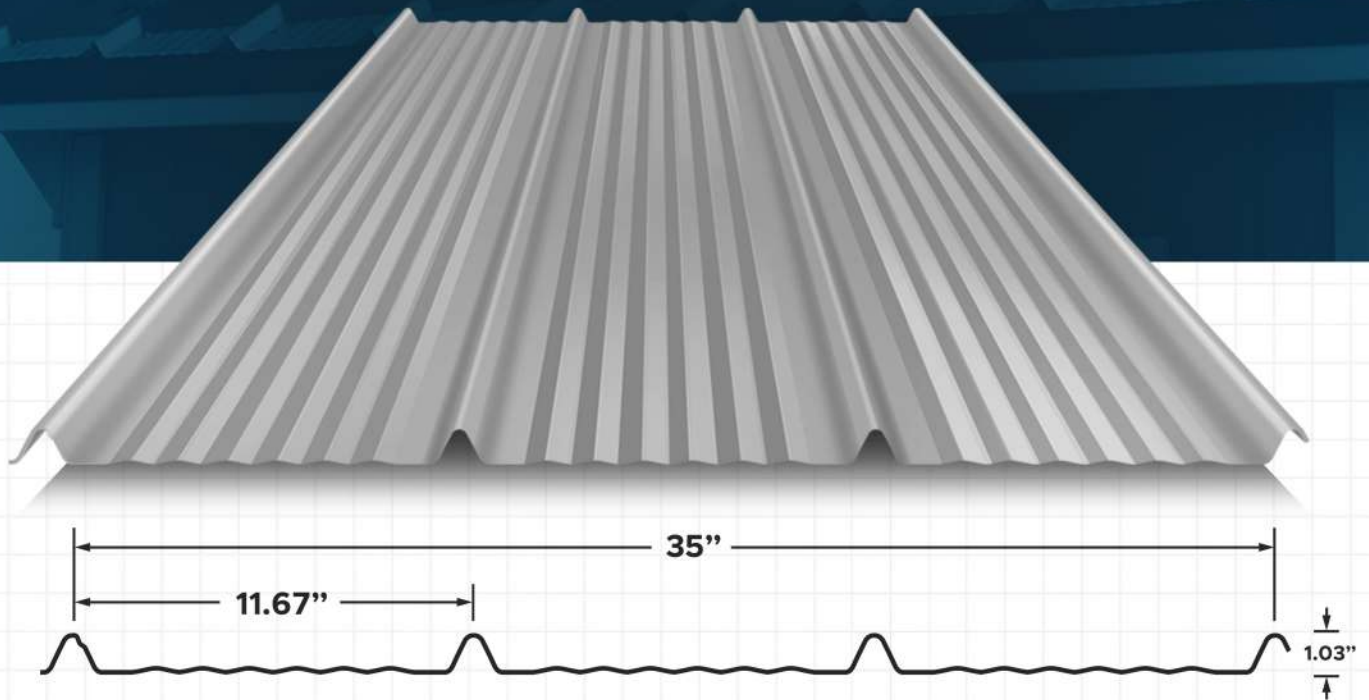
- 29 ga. (.0150"), ASTM A653, Grade 80, minimum spangle, G60 zinc-coated (galvanized) structural steel
- G100 galvanized available for animal confinement buildings



APEX X4 PANEL

COMES IN CUSTOM LENGTHS UP TO 50'

30 Standard Colors



Panel Specs

- 35" panel coverage
- 1" high rib
- Replicates Standing Seam Panel for half the price
- Exposed Fastener, Low Profile Fastener available
- Applies over open frame, but solid substrate recommended
- Minimum roof slope: 3:12
- 30 colors available
- Drip Stop felt available

Testing & Approvals

- UL790, Class A Fire Resistance
- UL2218 Class 4 Impact Resistance
- ASTM E 1646 Water Infiltration

Paint Specs

- BeckryTech Highly Durable Polyester System by Becker Paints
- All colors Energy Star approved
- The new textured BeckryTech finish now available in 10 colors

Substrate Specs

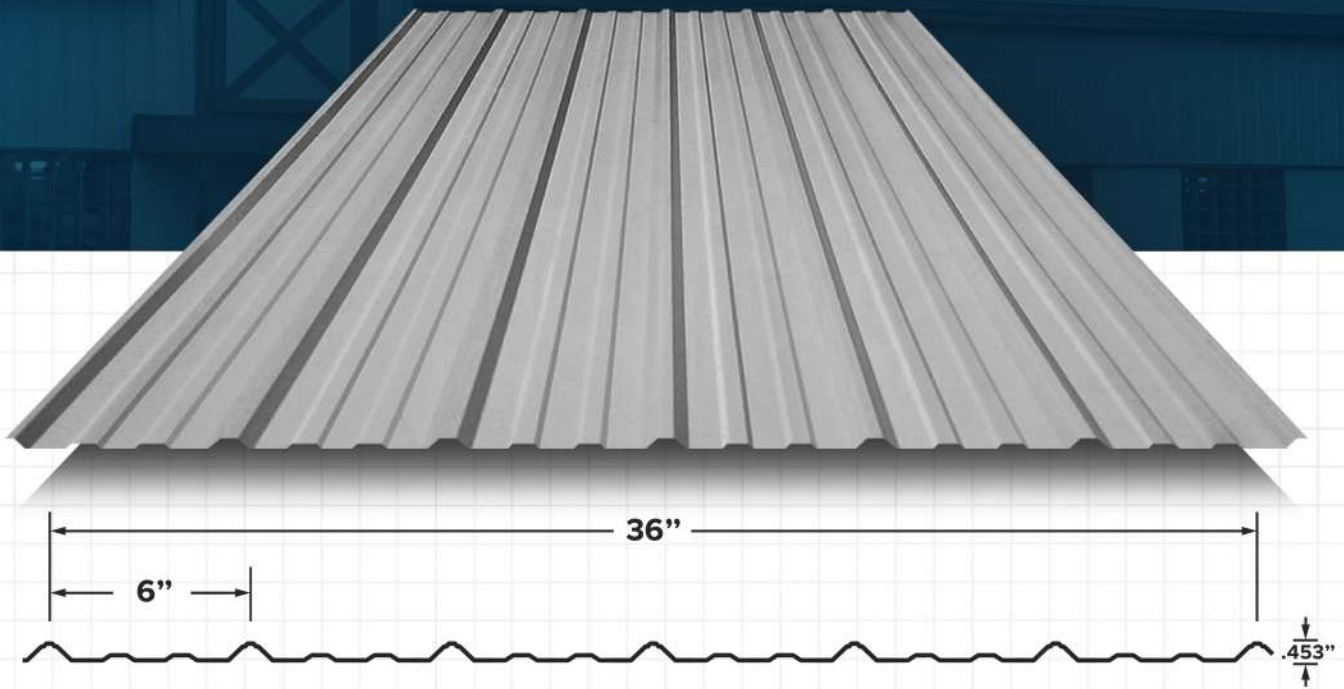
- 29 ga. (.0150"), ASTM A653, Grade 80, minimum spangle, G60 zinc-coated (galvanized) structural steel
- G100 galvanized available for animal confinement buildings



SUMMIT PANEL

COMES IN CUSTOM LENGTHS UP TO 50'

30 Standard Colors



Panel Specs

- 36" panel coverage
- 1/2" high rib
- Flat top rib on 6" centers
- Easily bend around round roof
- Exposed fastened, low profile panel
- Applies over open framing or solid substrate
- Minimum roof slope: 3:12
- 30 colors available
- Drip Stop felt available

Testing & Approvals

- UL790, Class A Fire Resistance
- UL2218 Class 4 Impact Resistance
- ASTM E 1646 Water Infiltration

Paint Specs

- BeckryTech Highly Durable Polyester System by Becker Paints
- All colors Energy Star approved
- The new textured BeckryTech finish now available in 8 leading colors

Substrate Specs

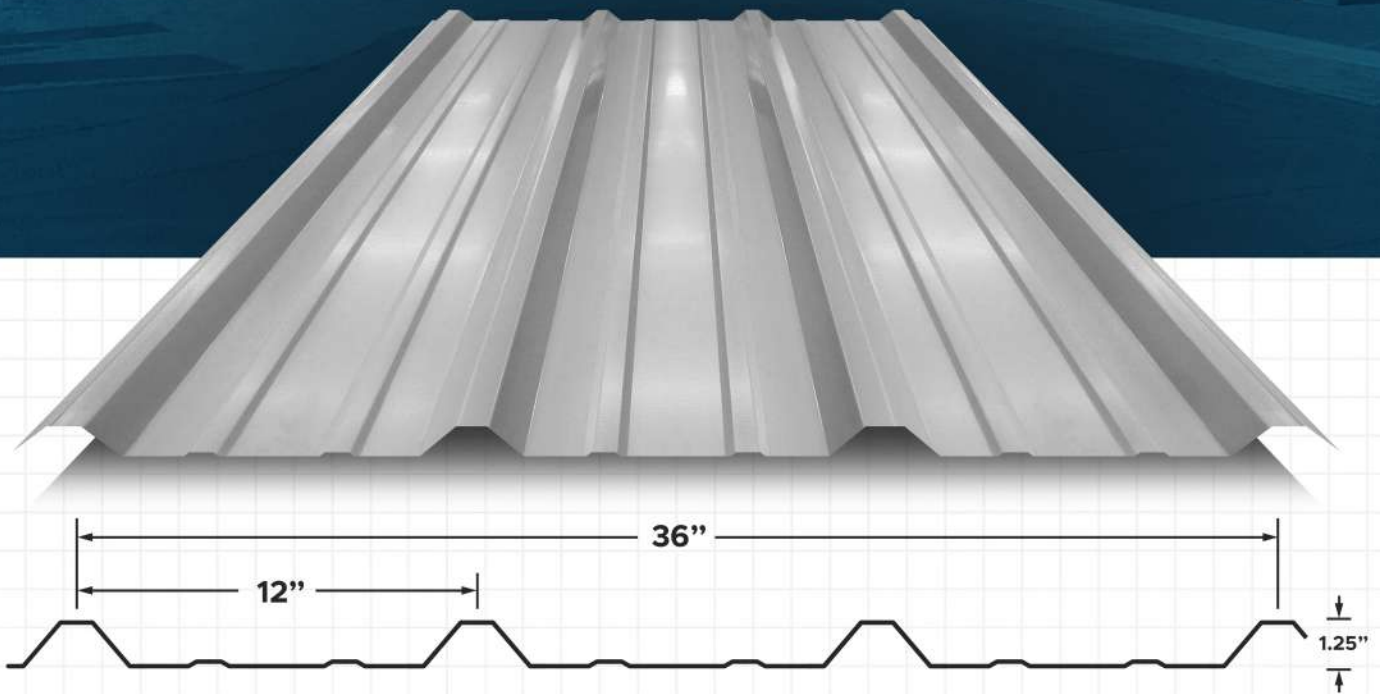
- 29 ga. (.0150"), ASTM A653, Grade 80, minimum spangle, G60 zinc-coated (galvanized) structural steel
- G100 galvanized available for animal confinement buildings



PBR PANEL

COMES IN CUSTOM LENGTHS UP TO 50'

10 Standard Colors



Panel Specs

- 36" panel coverage
- 1-1/4" high rib
- Trapezoidal rib on 12" centers
- Exposed fastened, low profile panel
- Applies over open framing or solid substrate
- Minimum roof slope: 1:12
- 10 colors available
- Drip Stop felt available
- PBR Panel is also available in Reverse PBR Panel for sidewall applications.

Testing & Approvals

- UL790, Class A Fire Resistance
- UL2218 Class 4 Impact Resistance
- ASTM E 1646 Water Infiltration

Paint Specs

- BeckryTech Highly Durable Polyester System by Becker Paints
- All colors Energy Star approved
- Stocked in 10 colors
- More colors available on large orders

Substrate Specs

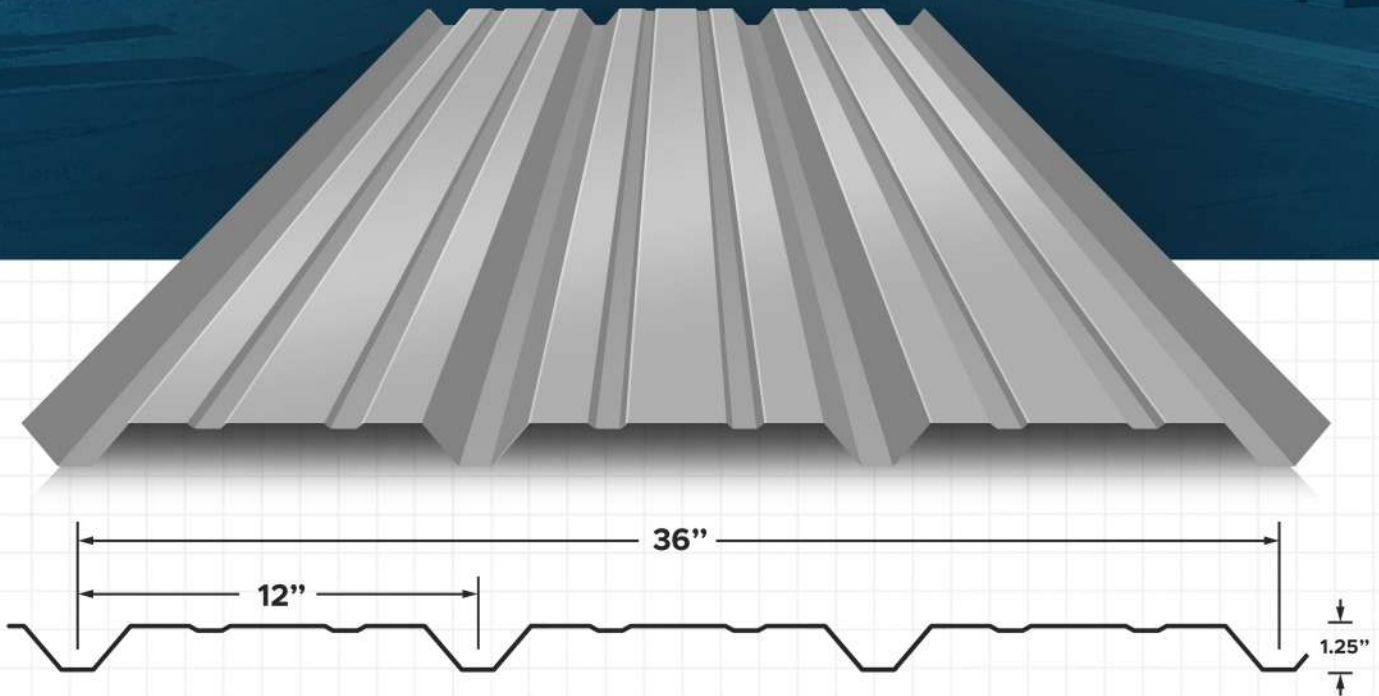
- 29 ga. (.0150"), ASTM A653, Grade 80, minimum spangle, G60 zinc-coated (galvanized) structural steel
- G100 galvanized available for animal confinement buildings



REVERSE PBR PANEL

COMES IN CUSTOM LENGTHS UP TO 50'

10 Standard Colors



Panel Specs

- To be used for sidewall applications only
- 36" panel coverage
- 1-1/4" high rib
- Trapezoidal rib on 12" centers
- Exposed fastened, low profile panel
- Applies over open framing or solid substrate
- 10 colors available
- Drip Stop felt available
- PBR Panel also available
- Panel design leaves room for more insulation

Testing & Approvals

- UL790, Class A Fire Resistance
- UL2218 Class 4 Impact Resistance
- ASTM E 1646 Water Infiltration

Paint Specs

- BeckryTech Highly Durable Polyester System by Becker Paints
- All colors Energy Star approved
- More colors available on large orders

Substrate Specs

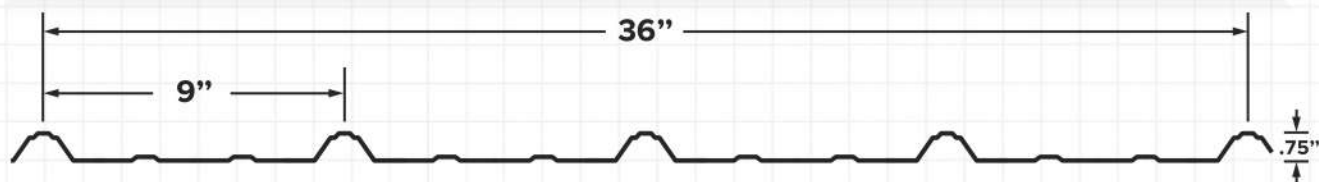
- 29 ga. (.0150"), ASTM A653, Grade 80, minimum spangle, G60 zinc-coated (galvanized) structural steel
- G100 galvanized available for animal confinement buildings



TUFF-RIB SOFFIT PANEL

COMES IN CUSTOM LENGTHS UP TO 47'

30 Standard Colors



Panel Specs

- 36" panel coverage
- 3/4" high rib
- Bell top trapezoidal rib on 9" centers
- Exposed fastened, low profile panel
- Applies over open framing or solid substrate
- Minimum roof slope: 3:12
- 30 colors available
- Drip Stop felt available
- Also available in rolled in Reverse for different aesthetics

Paint Specs

- BeckryTech Highly Durable Polyester System by Becker Paints
- All colors Energy Star approved
- The textured BeckryTech finish is available in 10 leading colors

Substrate Specs

- 29 ga. (.0150"), ASTM A653, Grade 80, minimum spangle, G60 zinc-coated (galvanized) structural steel
- G100 galvanized available for animal confinement buildings



Aluminum Soffit

- Used to cover under eave lines and provide an air inlet for ventilation
- Available in Vented or Solid
- 16" Aluminum Soffit Panels come in 12' lengths





Visualize the color of your next project

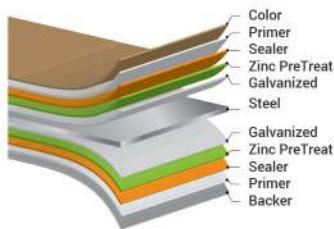
Scan this QR to link to our Color Visualizer



40 YEARS

FINISH WARRANTY

BeckryTech Highly Durable Polyester by Beckers offers a 40-year limited warranty and are ideal for a variety of residential, agricultural, industrial and commercial metal building applications



Color selections are close representation but are limited by processing and viewing conditions. Actual metal samples are available by request. For all specific warranty, application, installation and technical information regarding our products, please contact Rush River for more information.

STANDARD COLORS

Brilliant White*	Alamo White*	Light Stone*	Ash Gray*	Charcoal*
Dark Green*	Gallery Blue*	Burnished Slate*	Burgundy*	Acrylic Bare*
Taupe	Light Gray	Tan	Rustic Red	Bright Red
Hawaiian Blue	Brown	Hunter Green	Black	Copper Metallic

TEXTURED COLORS

BlackTex	BrownTex	BurgundyTex	RustTex	Quaker GrayTex
GreenTex	RedTex	Burnished SlateTex	Gallery BlueTex	TaupeTex

*Also available in 26ga PBR panels

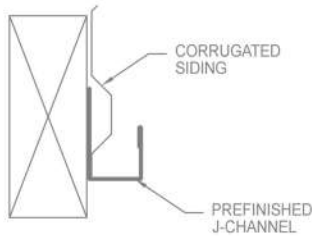
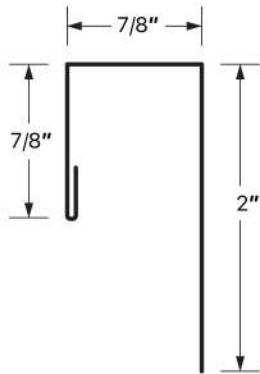
SECTION ONE



**Flashing Components,
Dimensions & Applications**

RR1A J Trim

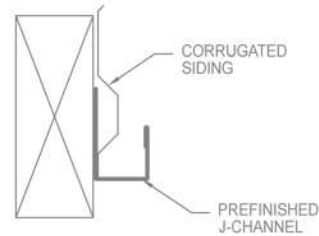
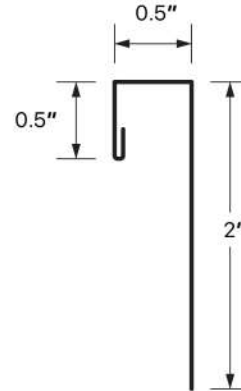
Used as a closure and trim along the top edge of a sidewall and around windows and doors
(Can also be ordered with 5/8" opening for Summit Panel)



4.5"

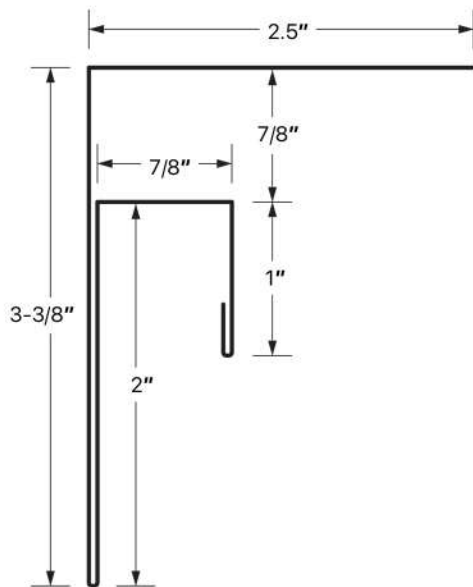
RR1B Soffit J Trim

Used as a closure and trim around a building to secure Soffit panels



RR2 7/8 Double J Trim

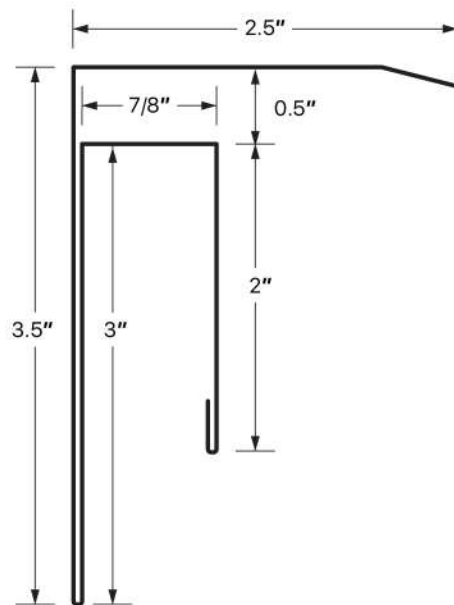
Used to accent and provide a closure between wall to ceiling in interior applications



10"

RR3 Double J Soffit

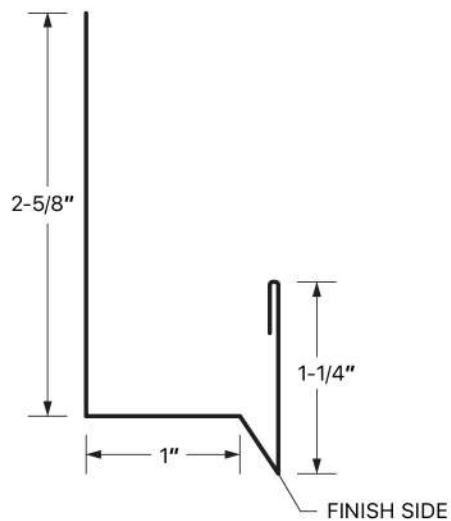
Used as a closure and trim around a building to secure Soffit panels and provide a built in closure for sidewall siding or panel



12.25"

RR4 Door Header Trim

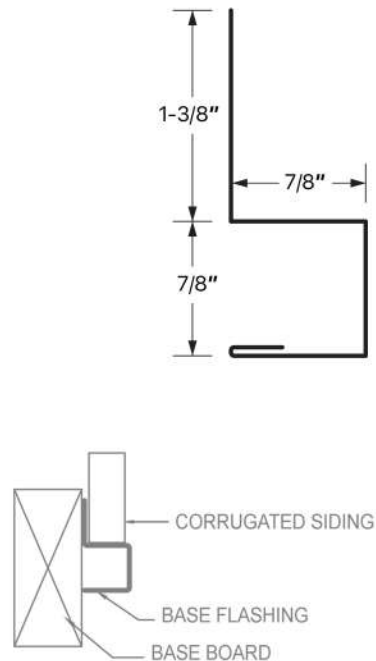
Used to create a cover for windows and door header with a water channel



6"

RR5 Base Molding

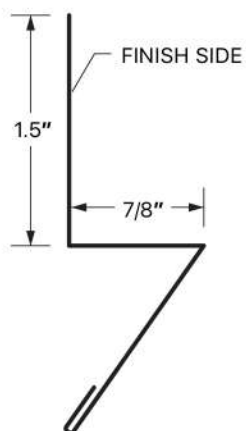
Used to accent and seal the bottom edge of the sidewall panels



4.5"

RR6 Rat Guard

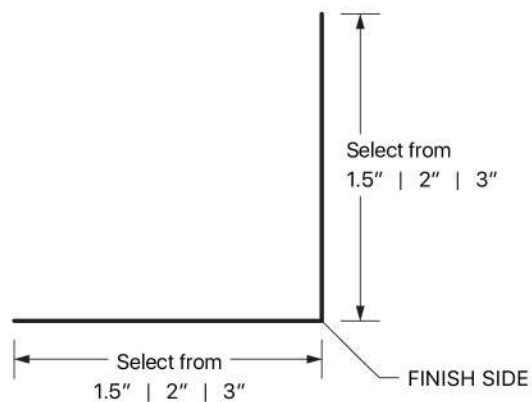
Used to accent and seal the bottom edge of the sidewall panels. Specify 3/4" or 1-1/2"



4.75"

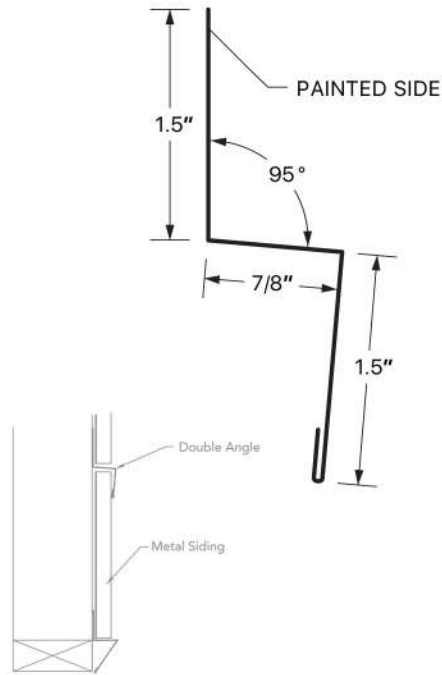
RR7 Angle Flashing

Used to cover exposed material in overhang, post, door and window openings



RR8 Double Angle

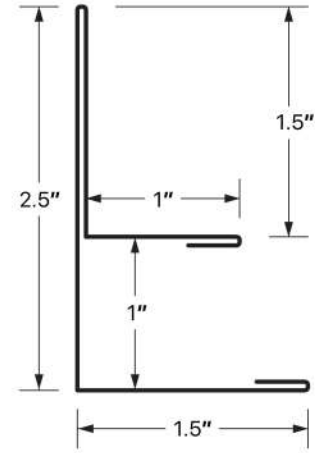
Used to create a break on walls between sidewall panels



4.5"

RR9A F Trim

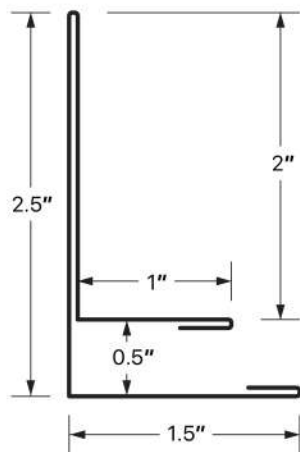
Used as a closure and trim along the top edge of a sidewall to support Soffit



8"

RR9B Soffit F Channel

Used as a closure and trim along the top edge of a sidewall to support Soffit

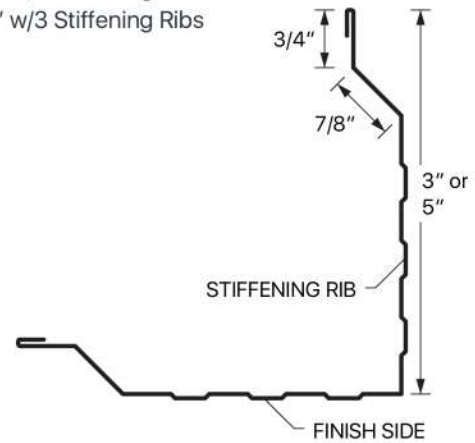


8"

RR10 Ribbed Rake / Corner Flashing

Used to accent and seal outside corners of wall or gable ends

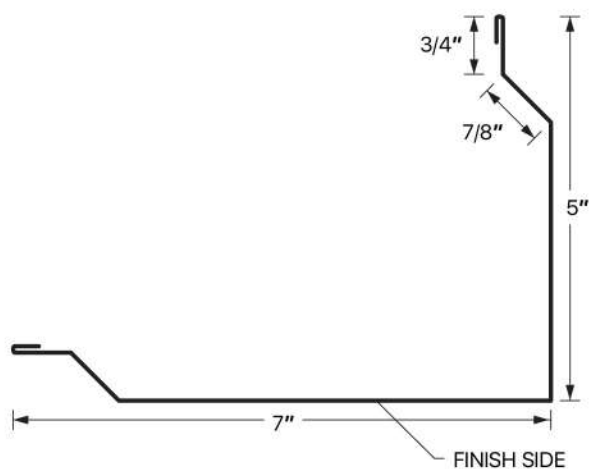
- 3"x3" w/1 Stiffening Ribs
- 3"x5" w/3 Stiffening Ribs
- 5"x5" w/3 Stiffening Ribs



3"x3"	3"x5"	5"x5"
8"	10"	12"

RR11 Rake / Corner Flashing

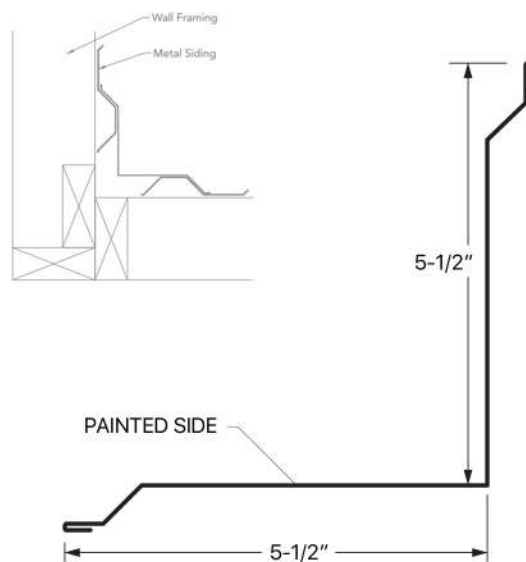
Used to create a cover for windows and door header with a water channel



14"

RR12 Inside Corner

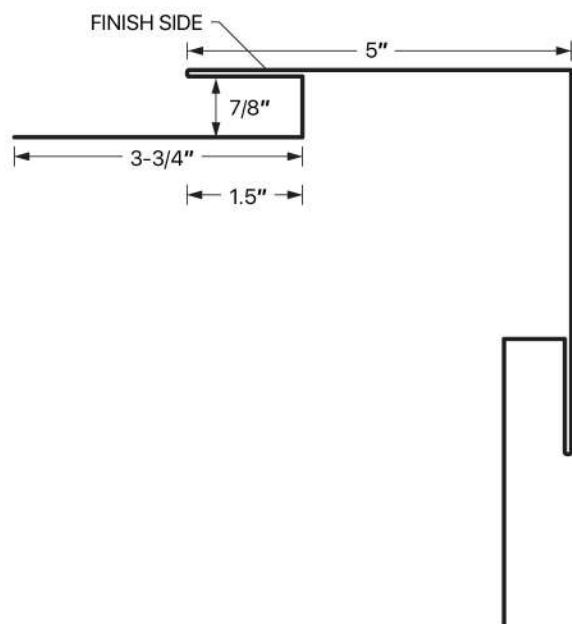
Used to accent and seal inside corners of walls



12"

RR13 5" Classic Corner Trim

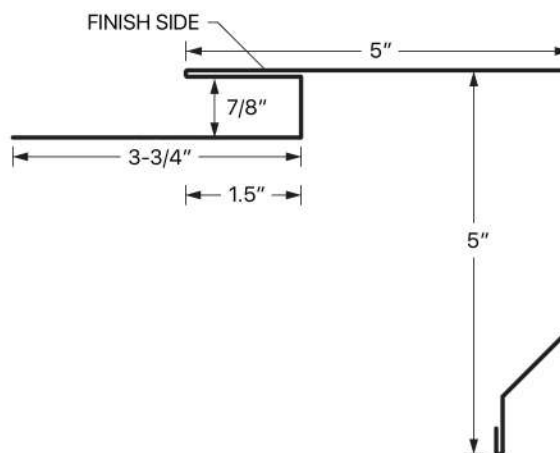
Used to accent and seal outside corners of walls or gable ends



20.5"

RR14 Classic Rake

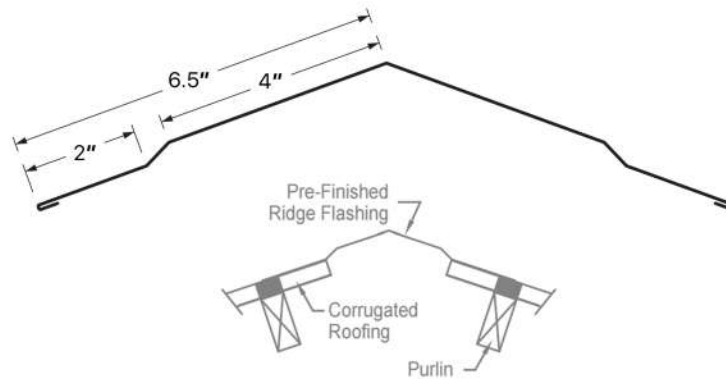
Used to accent and seal outside corners of walls or gable ends



15.5"

RR15 Ridge Cap 14"

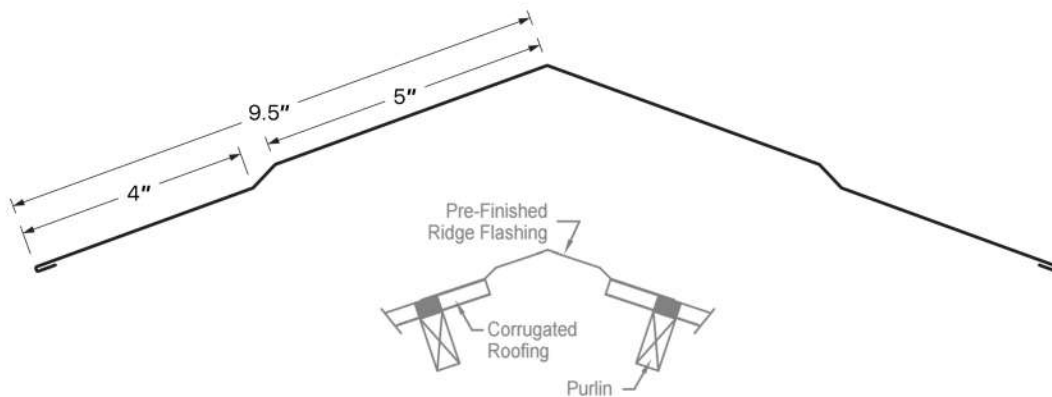
Used to create a cover over the top edge or peak of the roof panels



14"

RR16 Ridge Cap 20"

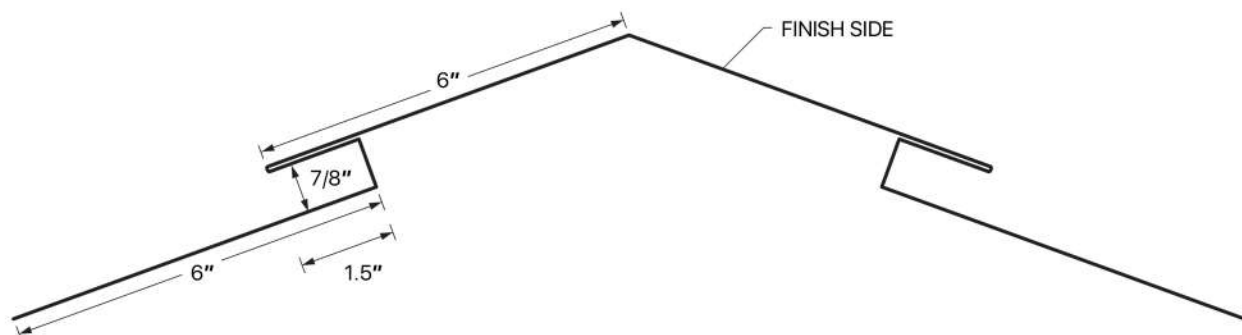
Used to create a cover over the top edge or peak of the roof panels



20"

RR17 Hip Ridge Cap

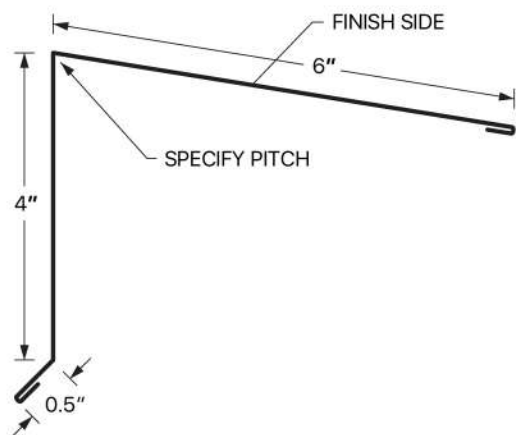
Used to create a cover over the top edge or peak of the roof panels



24"

RR18 Monoslope Ridge

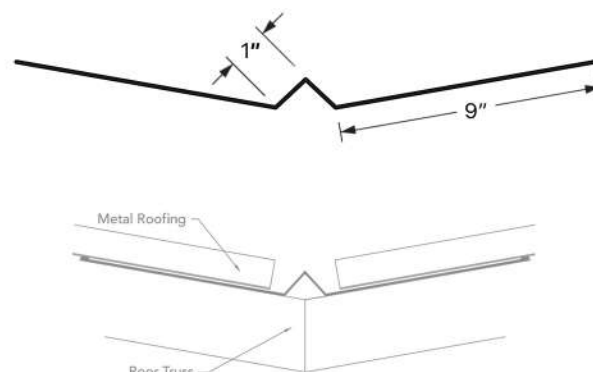
Used to create a cover over the top edge or peak of the roof panels



11.5"

RR19 Valley Trim

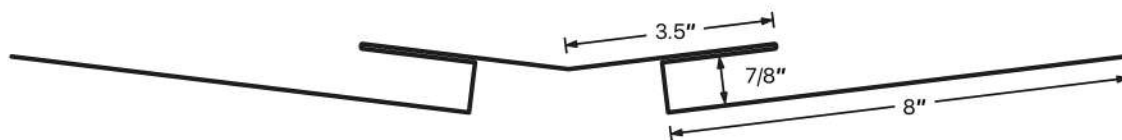
Used to seal a water line where two roof planes come together



20"

RR20 Special Valley

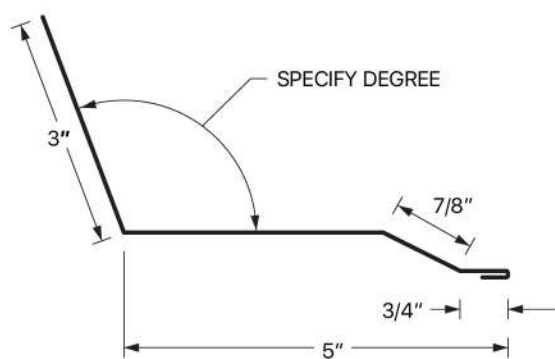
Used to seal a water line where two roof planes come together



29"

RR21A Transition Flashing

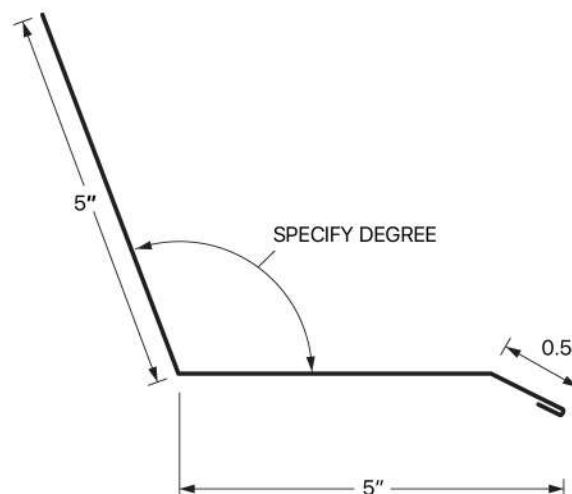
Used to transition two different roof pitches where they meet at the inside



9.25"

RR21B Dormer Trim

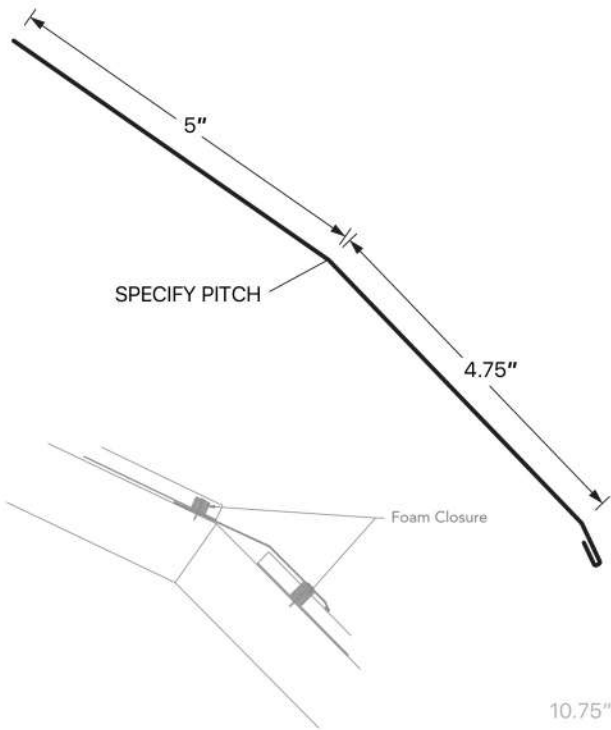
Used to create a seal on the roof panel at the vertical endwall and the bottom of dormer



11"

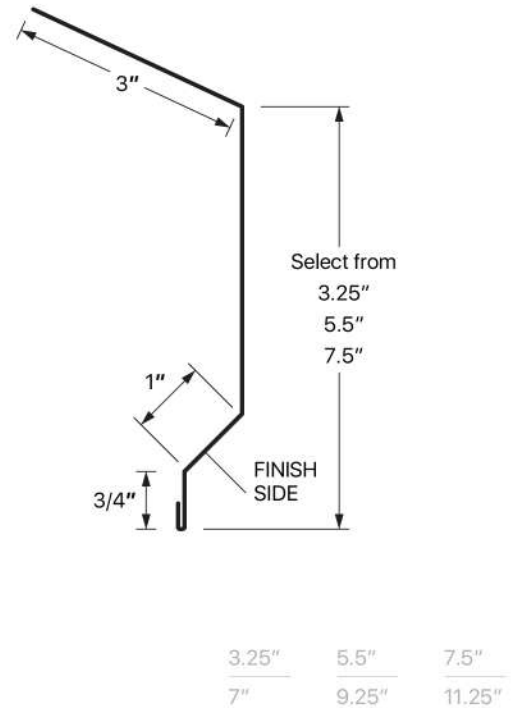
RR22 Gambrel

Used to transition two different roof pitches where they meet at the outside



RR23 Eave Trim

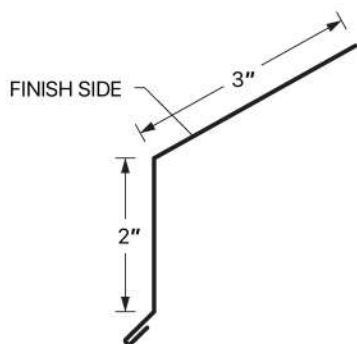
Used to accent and cover the exposed edges of steel at the eave fascia line



RR24 Gutter Apron

Used to accent and cover the exposed edges of steel at the eave fascia line

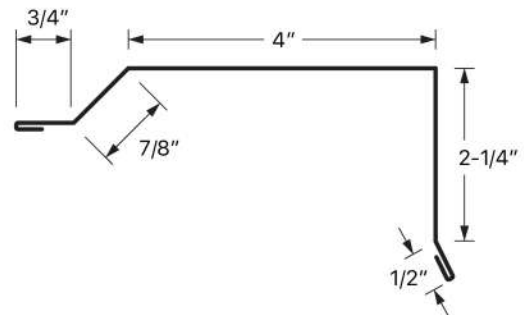
Available in:
3"x2"
3"x3"



3"x2"	3"x3"
6"	7"

RR25 Rake & Gable

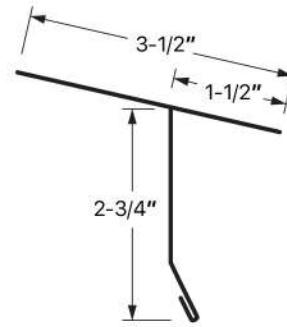
Used to accent and cover the exposed edges of steel at the gable fascia line



10.25"

RR26 Roof Drip Flashing

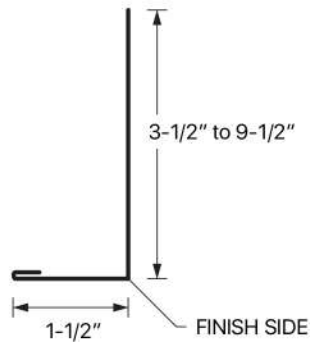
Used to seal a water line at a roof eave line



8.75"

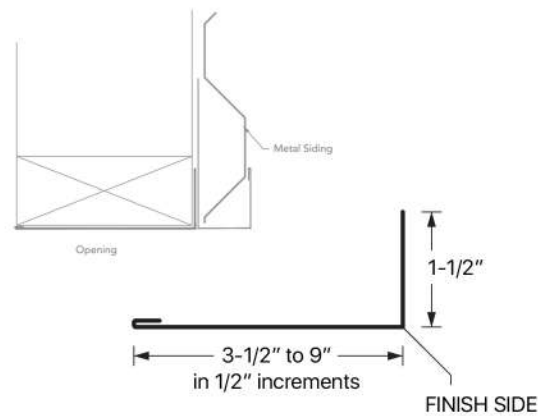
RR27A Fascia Trim

Used to accent and support Soffit panels at the eave fascia line



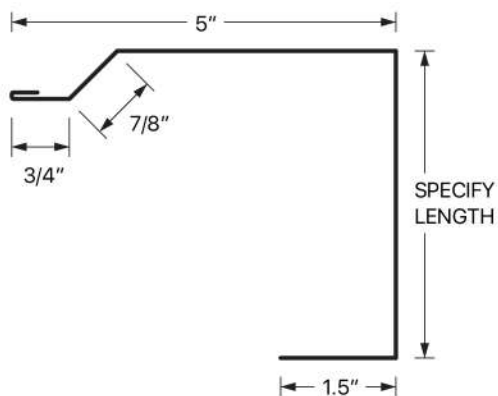
RR27B Post Trim

Use to cover exposed material on post applications



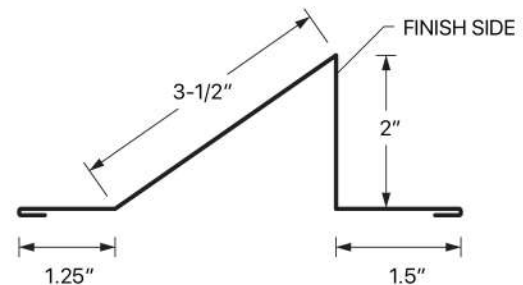
RR28 Box End Fascia

Used to accent and support Soffit panels at the gable fascia line



RR29 Snow Guard

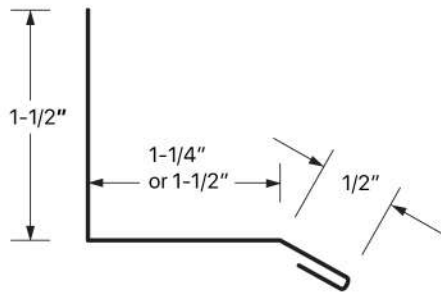
Used to provide a safe and economical way to help stop snow from coming down at once



9.25"

RR30 Drip Cap

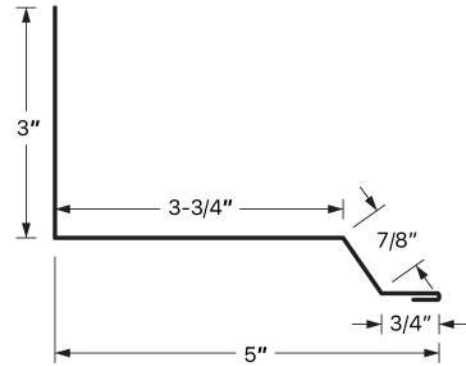
Used to create a cover for windows and headers



4.5"

RR31 Universal Sidewall

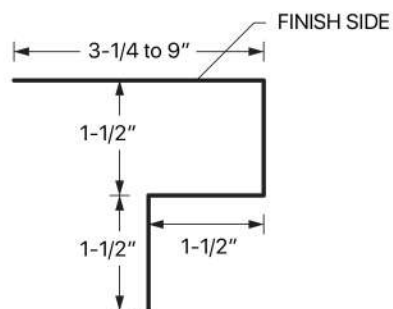
Used to create a seal on the roof panel at the vertical sidewall and the side of a dormer



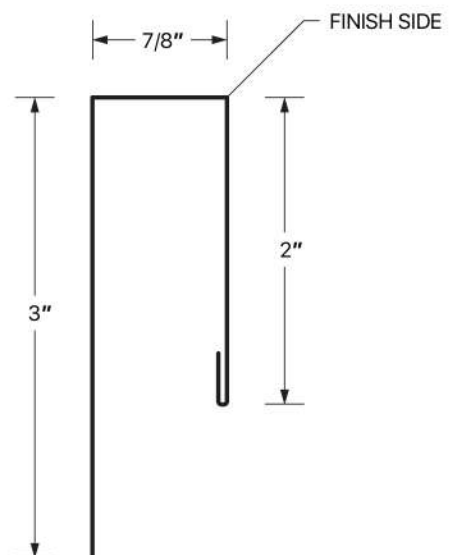
9.25"

RR32 Door Jamb Trim

Used as a trim for sliding doors and service doors

**RR33 Framing Closure**

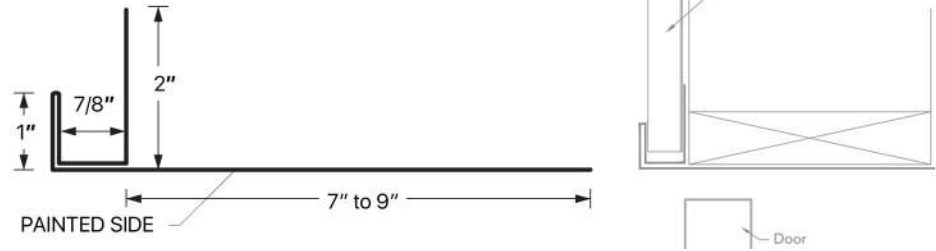
Used as an external J-Trim for for along sidewall and around windows and doors



6.5"

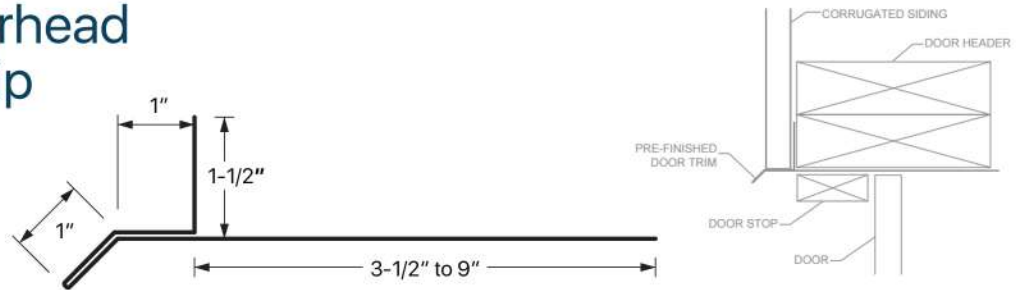
RR34 Overhead Door Trim

Used to accent a cover door jamb frames with a channel for side wall panels



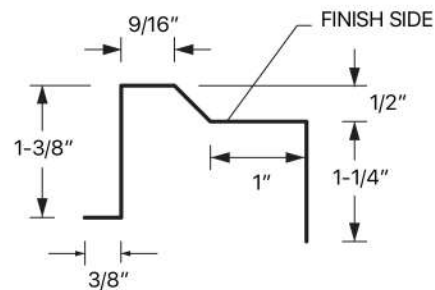
RR35 Overhead Door w/ Drip

Used to create a cover over window and door headers from steel panels with a channel for sidewall panels



RR36 Brick Mold Cover

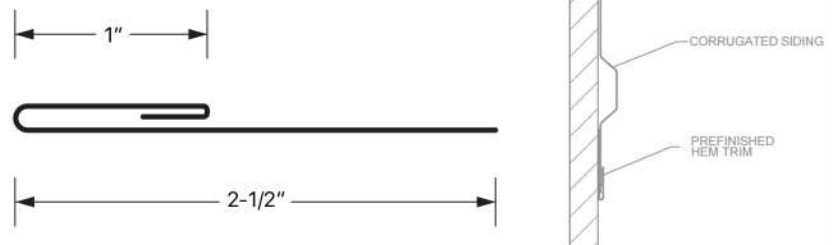
Used to accent and seal the bottom edge of the sidewall panels



5"

RR37 Hem Flashing

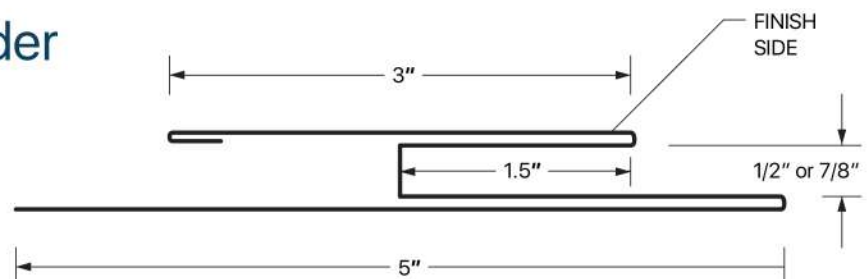
Used to accent and cover the exposed edges of steel sheets around openings



4.5"

RR38 Soffit Divider

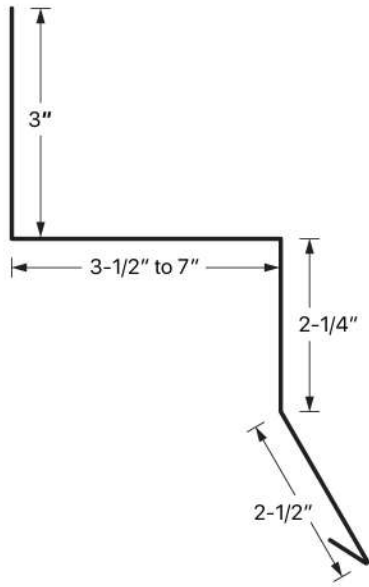
Used as a separator to intersect and seal Soffit Panels



13"

RR39 Square Track Cover

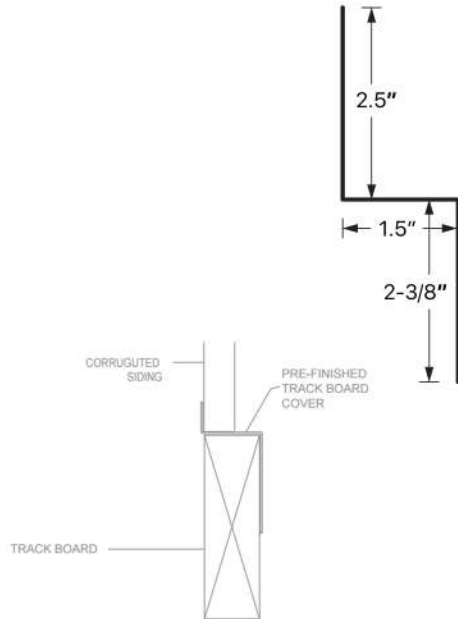
Used to provide cover and conceal a square track that is top mounted on a header



12"

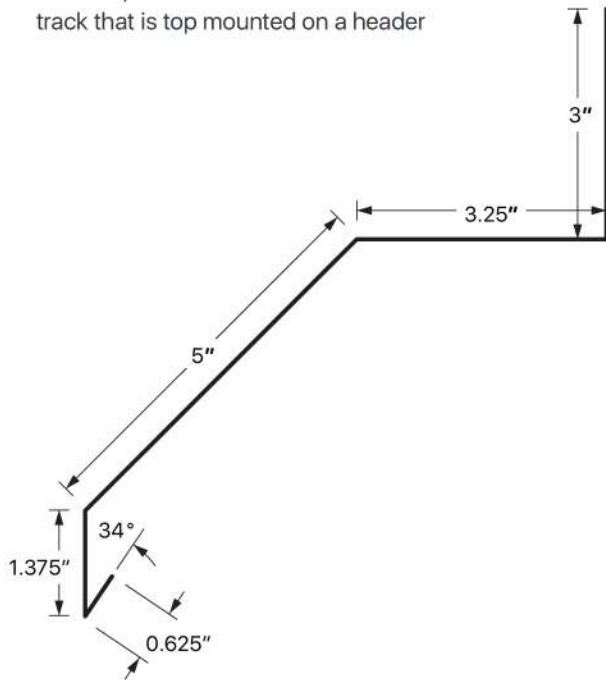
RR40 Track Board Cover

Used to provide cover and conceal a track board header



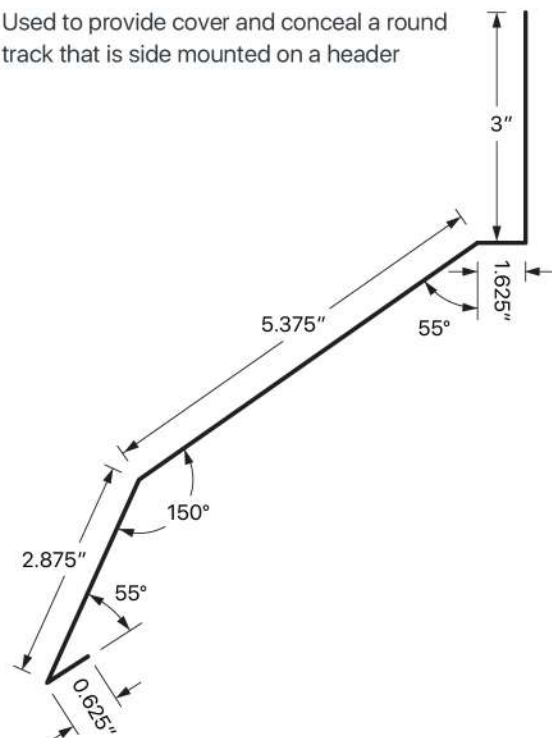
RR41A Track Round Top Mount

Used to provide cover and conceal a round track that is top mounted on a header



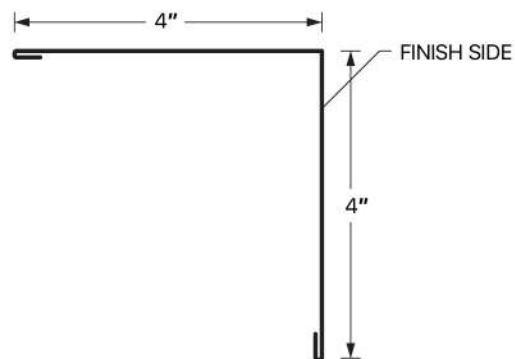
RR41B Track Round Side Mount

Used to provide cover and conceal a round track that is side mounted on a header



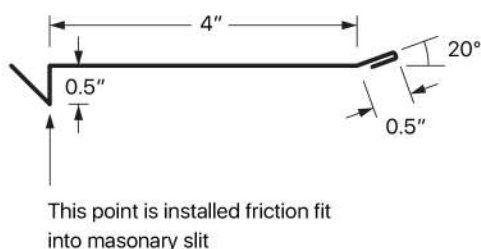
RR42 Outside Trim

Used to accent and seal outside corners of wall or gable ends



RR43 Ridget Flashing

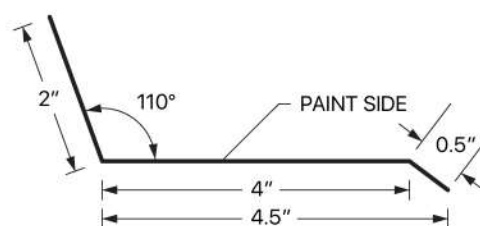
Used as a flashing to shed water on a chimney / masonry sidewall and endwall application



6"

RR44 Brick Flashing

Used as a flashing on top of Brick Wainscott

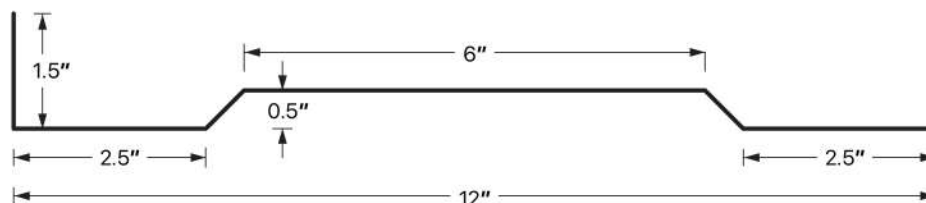


6.5"

RR45 12" Hog Barn Soffit

Used as a Soffit in a Hog barn application. 1/2 holes provides a perfect balance between adequate ventilation and keeping out birds and etc.

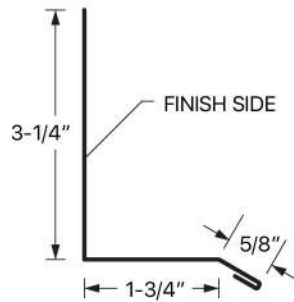
- This part comes solid or with 1/2" venting holes
- Vented Soffit is only available on 11"-12" span



13-5/8"

RR60 Commercial Base

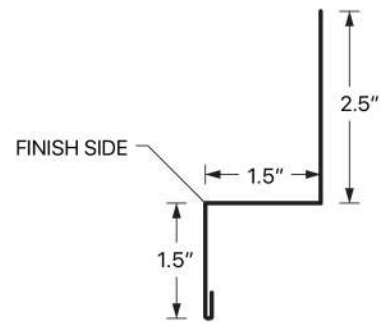
Used to seal the bottom edge of the sidewall or on top of doors and entryways



6"

RR61 Commercial Double Angle

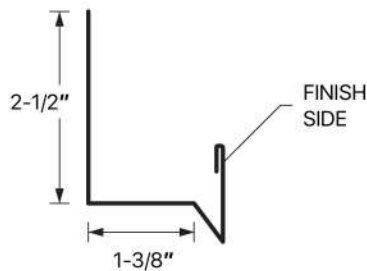
Used to create a break on walls between gable or sidewall panels



6"

RR62 Commercial Door Header 1³/₈

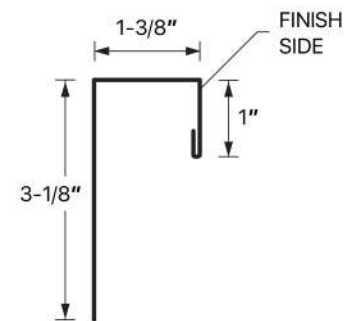
Used to create a cover for windows and door header with a water channel



6.5"

RR63 Commercial J-Trim

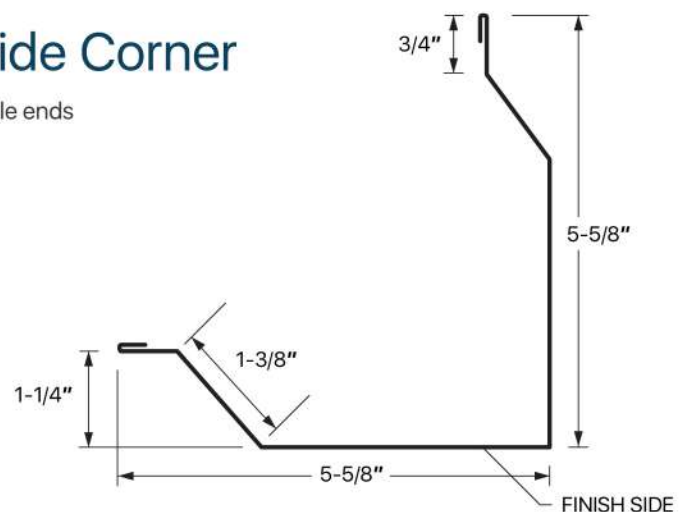
Used as a closure and trim along the top edge of a sidewall and around windows and doors



6"

RR64 Commercial Outside Corner

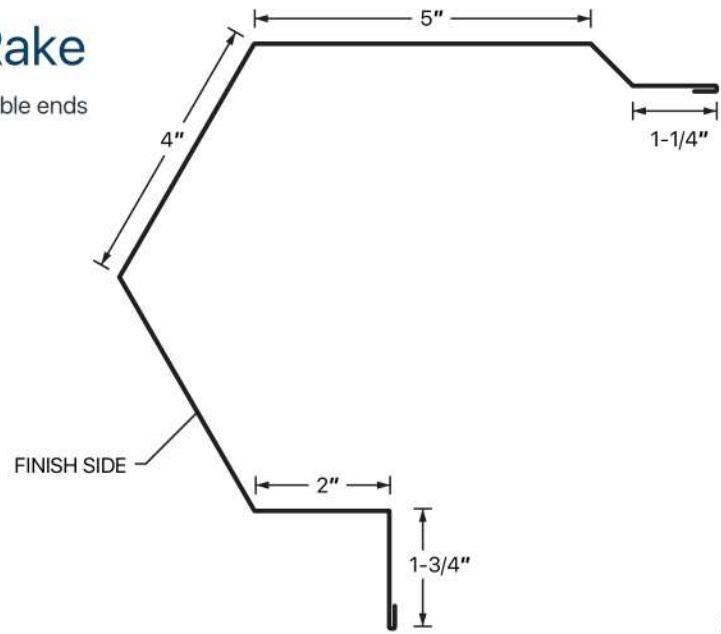
Used to accent and seal outside corners of wall or gable ends



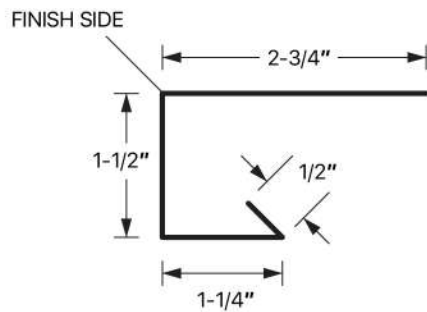
13-5/8"

RR65 Commercial Rake

Used to accent and seal outside corners of gable ends

**RR66 Commercial Jamb**

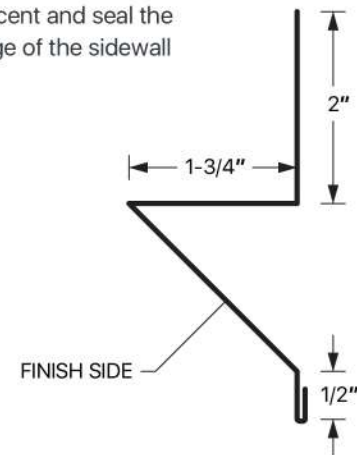
Used as a closure and trim along the sidewalls and around windows and doors



6"

RR67 Commercial Rat Guard

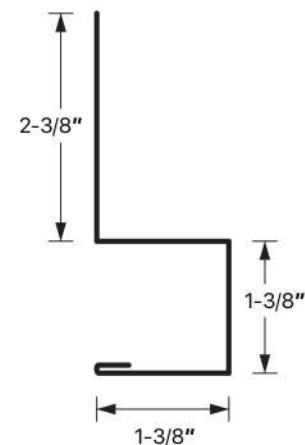
Used to accent and seal the bottom edge of the sidewall panels



7.25"

RR68 Commercial Base Moulding

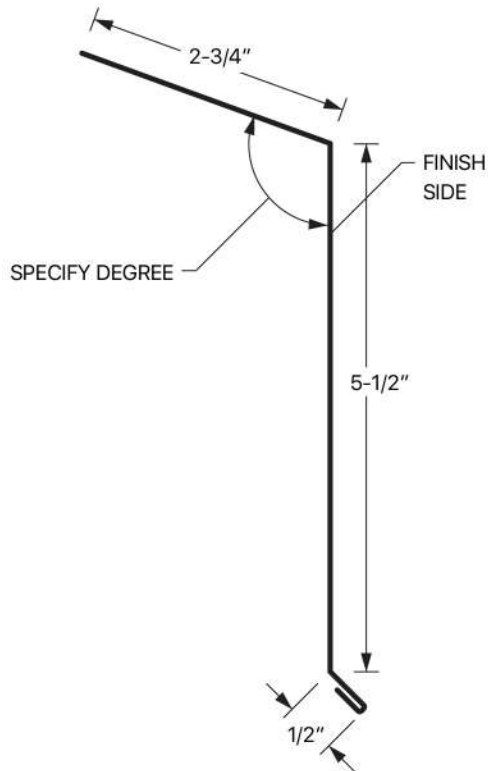
Used to accent and seal the bottom edge of the sidewall panels



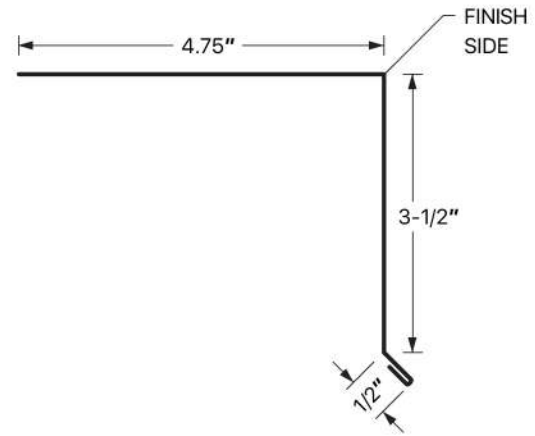
7"

RR69 Commercial Eave

Used to accent and cover the exposed edges of steel at the eave fascia line

**RR70 Commercial Short Eave**

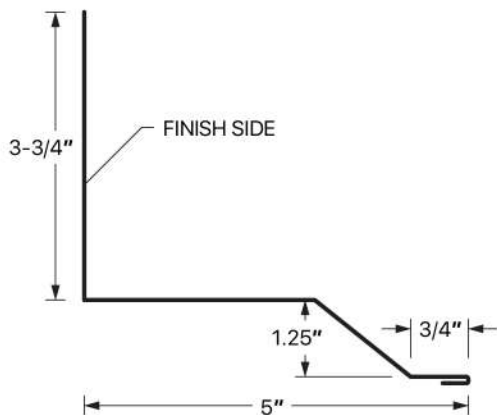
Used to accent and cover the exposed edges of steel at the eave fascia line



9.25"

RR71 Commercial Universal Sidewall

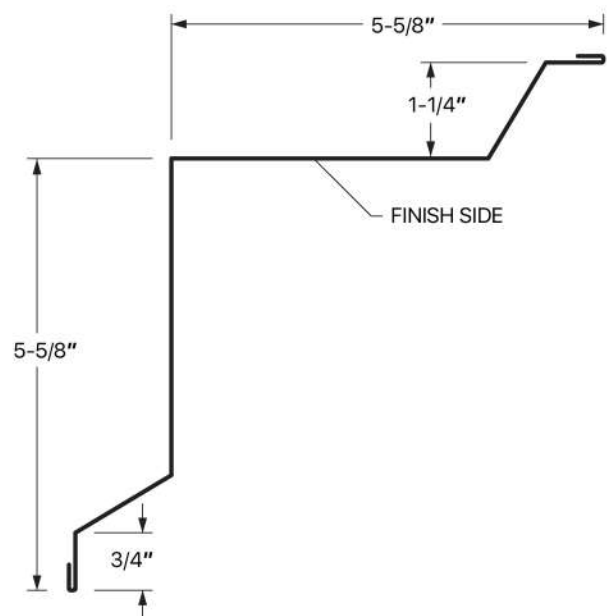
Used to create a seal on the roof panel at the vertical sidewall and the side of a dormer



9.25"

RR72 Commercial Inside Corner Trim

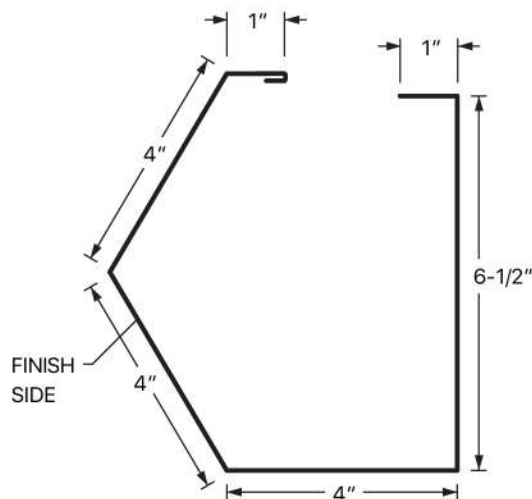
Used to accent and seal inside corners of walls



13-5/8"

RR73 Commercial Standard Gutter

- Note: - Gutter dimensions vary based on customers preference.
- Downspouts are available in straight runs 2" - 6" depending on building size.
 - Endcaps are made at jobsite with supplied coil stock.

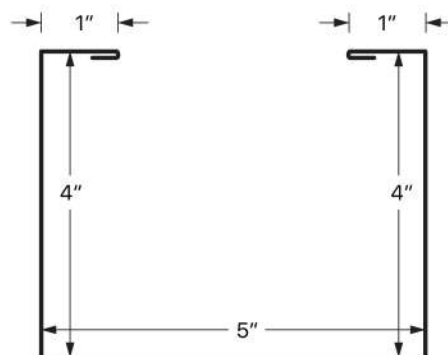


21"

RR74A Commercial Open Downspout

Used as a commercial open downspout

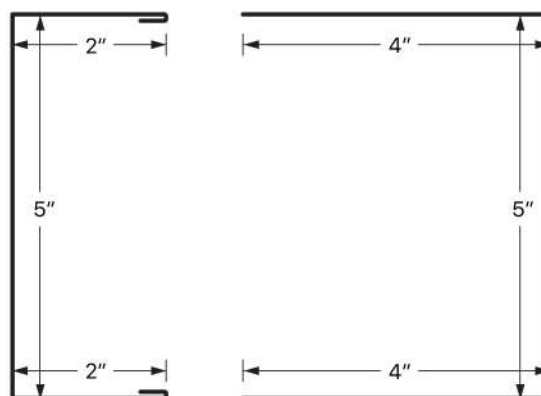
- 10' to 20' lengths available
- All mitered angles are not supplied and will have to be built on jobsite.
- Color matches SS rivets available
- Cross piece stiffeners also available in 10' lengths but will not be 4.5" factory cut or installed



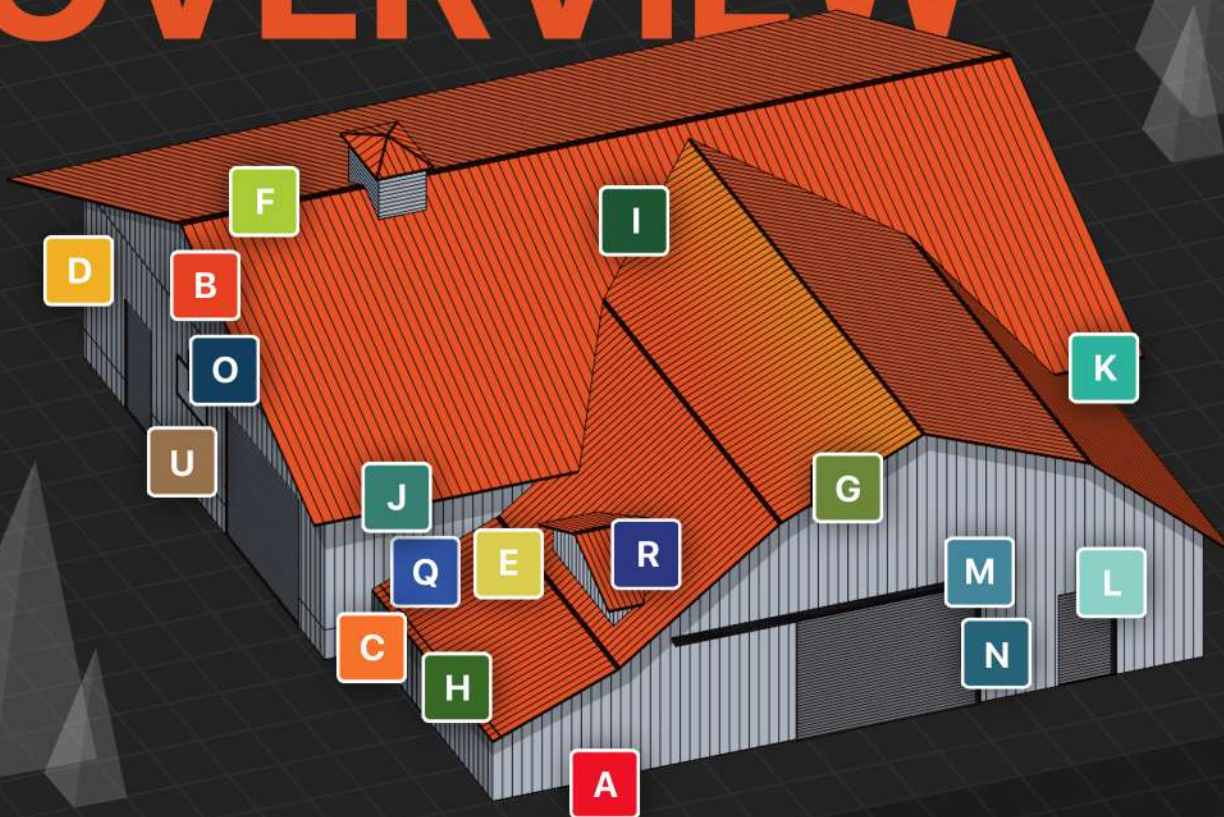
RR74B Commercial Closed Downspout

Used as a commercial closed downspout

- 10' to 20' lengths available
- All mitered angles are not supplied and will have to be built on jobsite.
- Color matches SS rivets available to secure caps



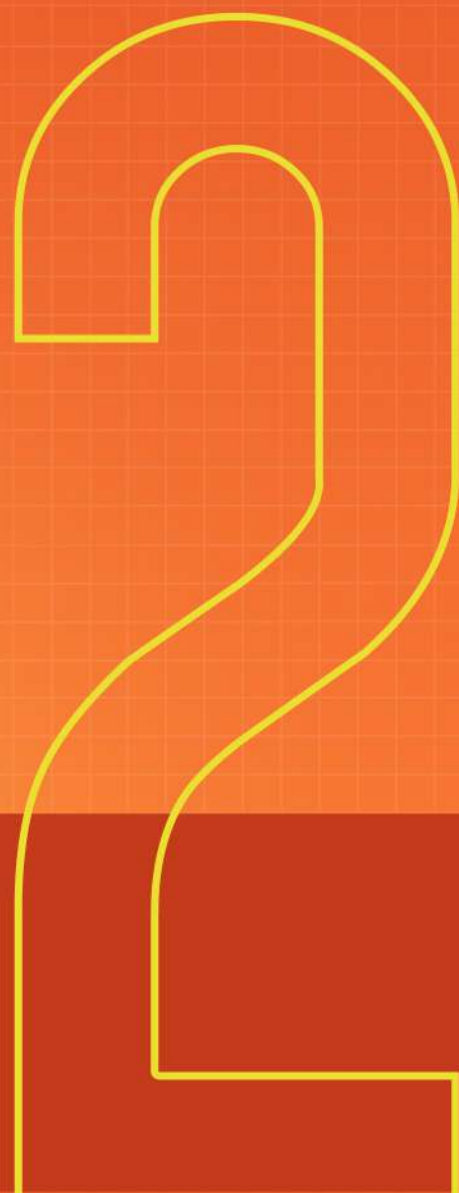
DETAIL OVERVIEW



A Base Molding	I Valley Flashing	O1 Window Still
B1 Eave	J Gutter Apron	O2 Window Header
B2 Residential Vented Eave	K1 Soffit Flashing	O3 Window Jamb
C Inside Corner	K2 Aluminum Soffit / Tuff Rib Soffit Panel	P Transition Flashing
D Outside Corner	L1 Door Header Drip Cap	Q Universal Sidewall
E Dormer Trim	L2 Overhead Door Jamb	R Dormer Valley
F Ridge / Peak Non-Vented	M1 Sliding Door Jamb	S Gambrel*
G1 Box Gable / Rake and Corner	M2 Sliding Door Header	T Monoslope Ridge*
G2 Gable / Rake and Corner	M3 Sliding Door Base	U Double Angle
H Snow Guard	N Door Jamb	

SECTION

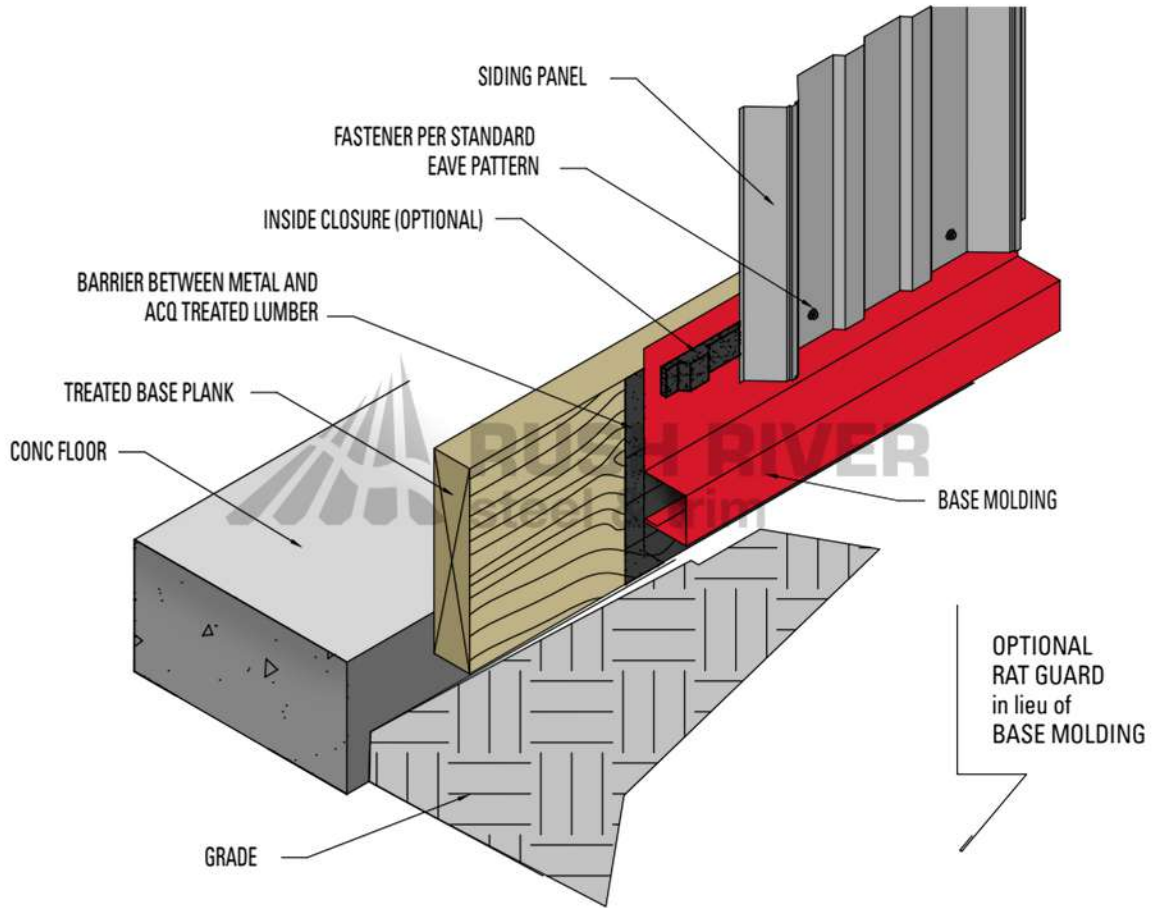
TWO



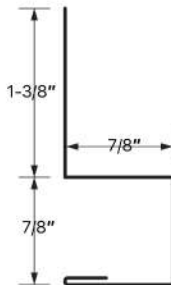
Detail Overview

A**BASE MOLDING**

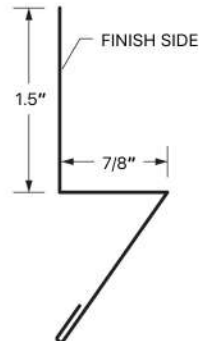
Note: Available as box molding or rat guard

**RR5 Base Molding**

Used to accent and seal the bottom edge of the sidewall panels

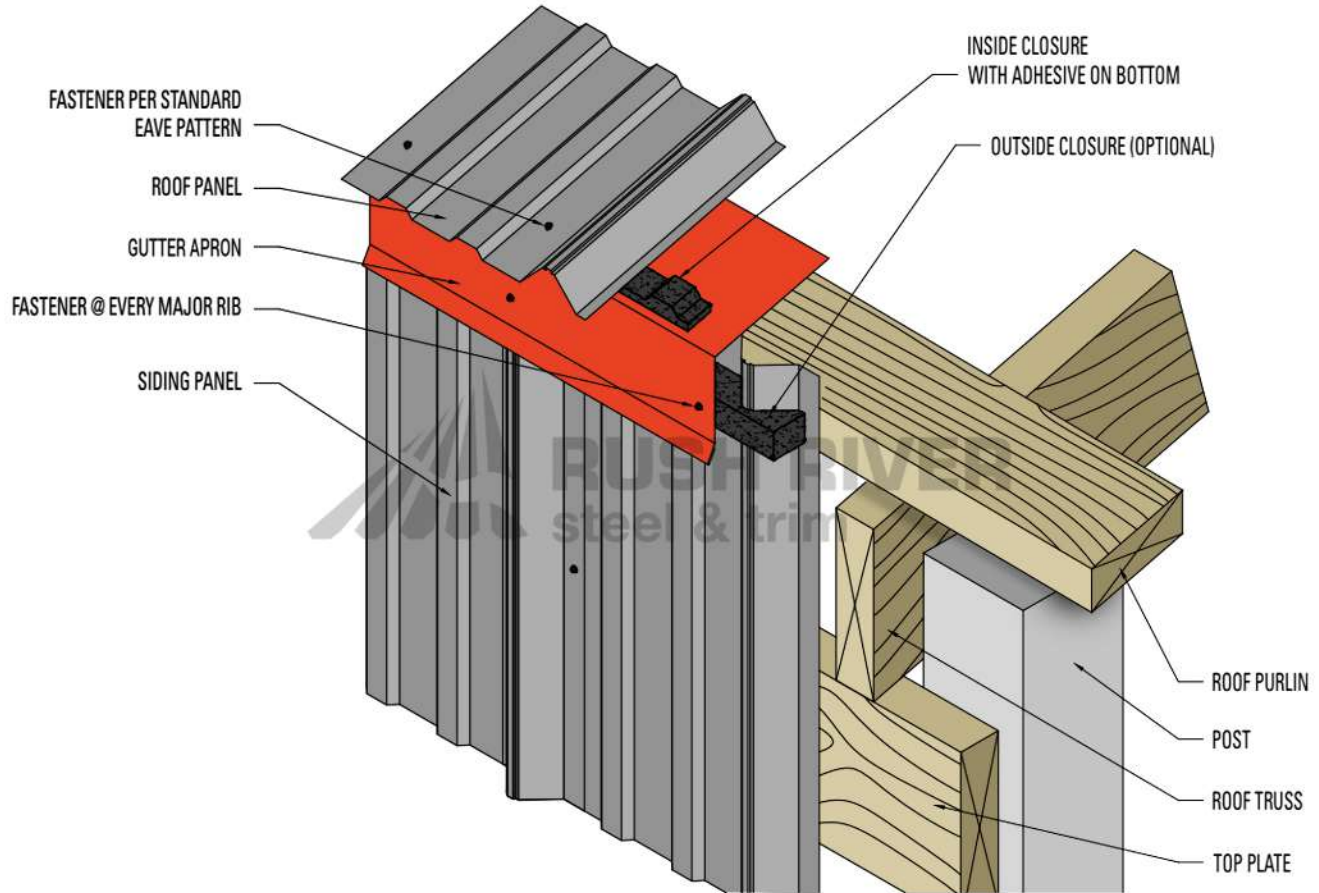
**RR6 Rat Guard**

Used to accent and seal the bottom edge of the sidewall panels. Specify 3/4" or 1-1/2"

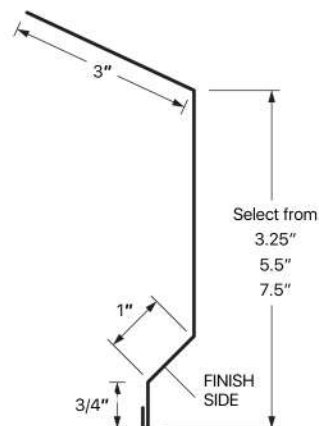


EAVE

Note: Specify Pitch

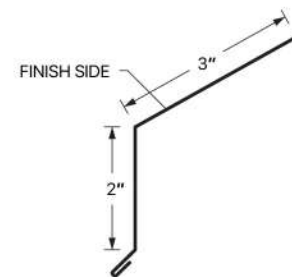
B1**RR23 Eave Trim**

Used to accent and cover the exposed edges of steel at the eave fascia line

**RR24 Gutter Apron**

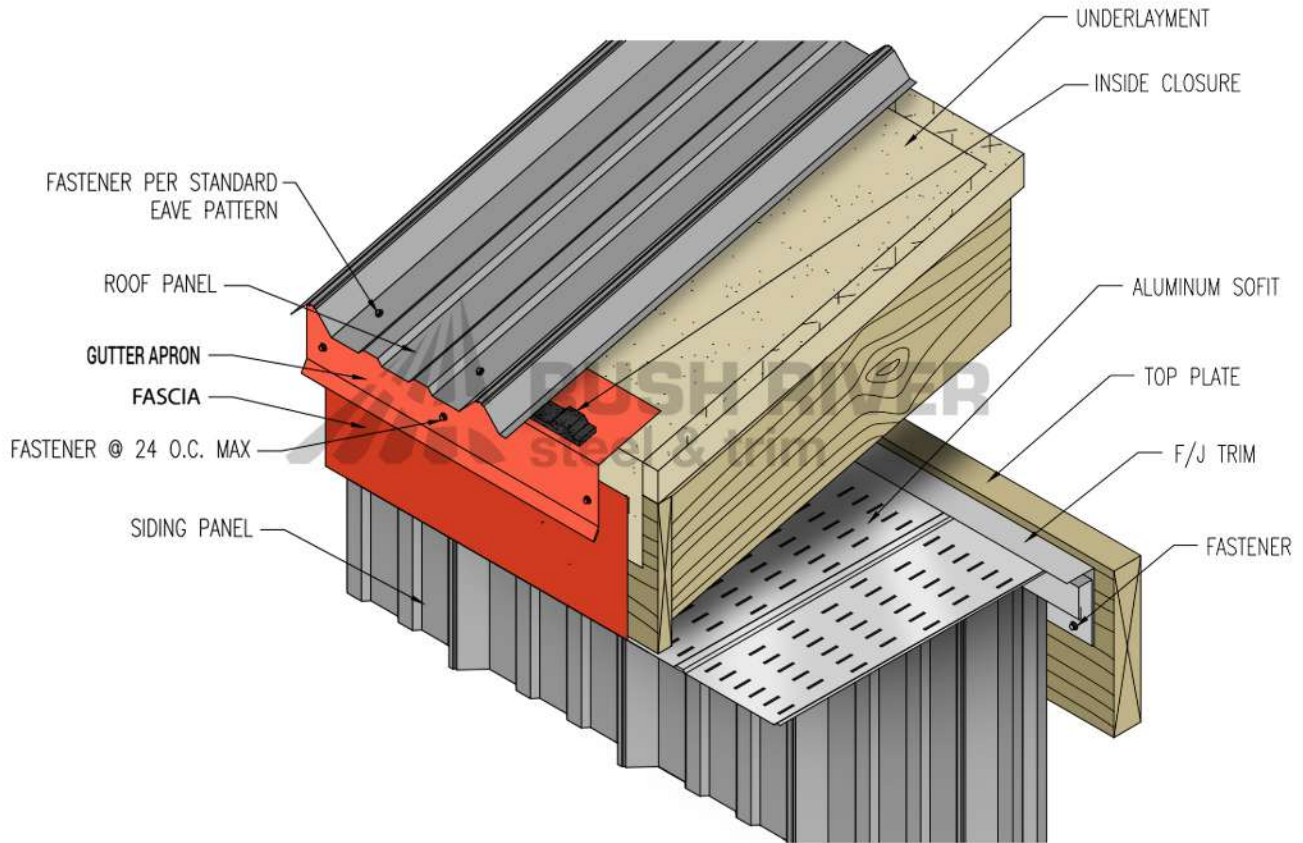
Used to accent and cover the exposed edges of steel at the eave fascia line

Available in:
3"x2"
3"x3"

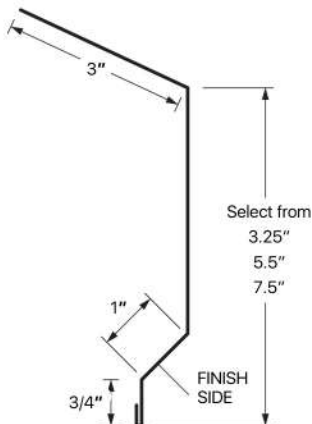


B2**RESIDENTIAL VENTED EAVE**

Note: Specify pitch

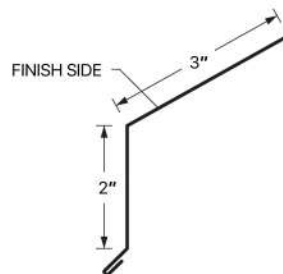
**RR23 Eave Trim**

Used to accent and cover the exposed edges of steel at the eave fascia line

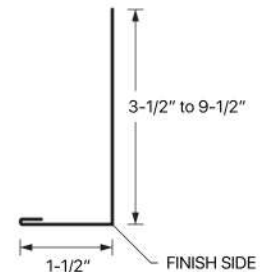
**RR24 Gutter Apron**

Used to accent and cover the exposed edges of steel at the eave fascia line

Available in:
3"x2"
3"x3"

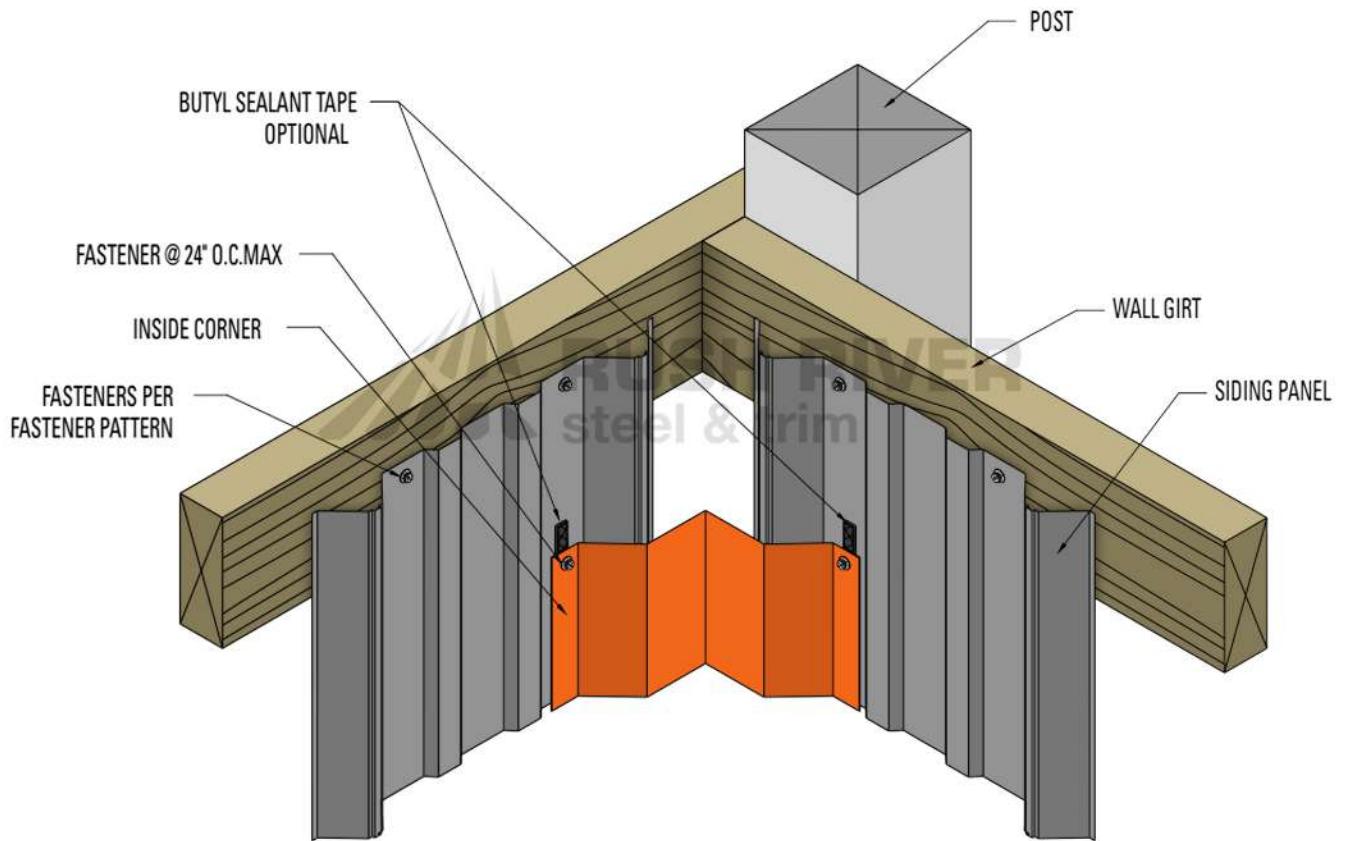
**RR27A Fascia Trim**

Used to accent and support Soffit panels at the eave fascia line

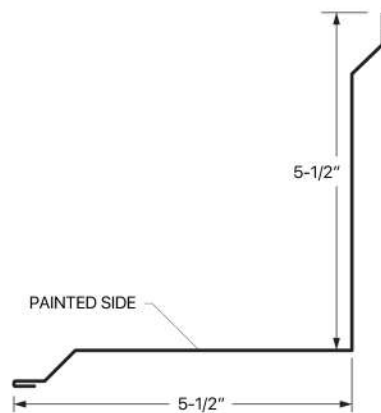


INSIDE CORNER

C

**RR12** Inside Corner

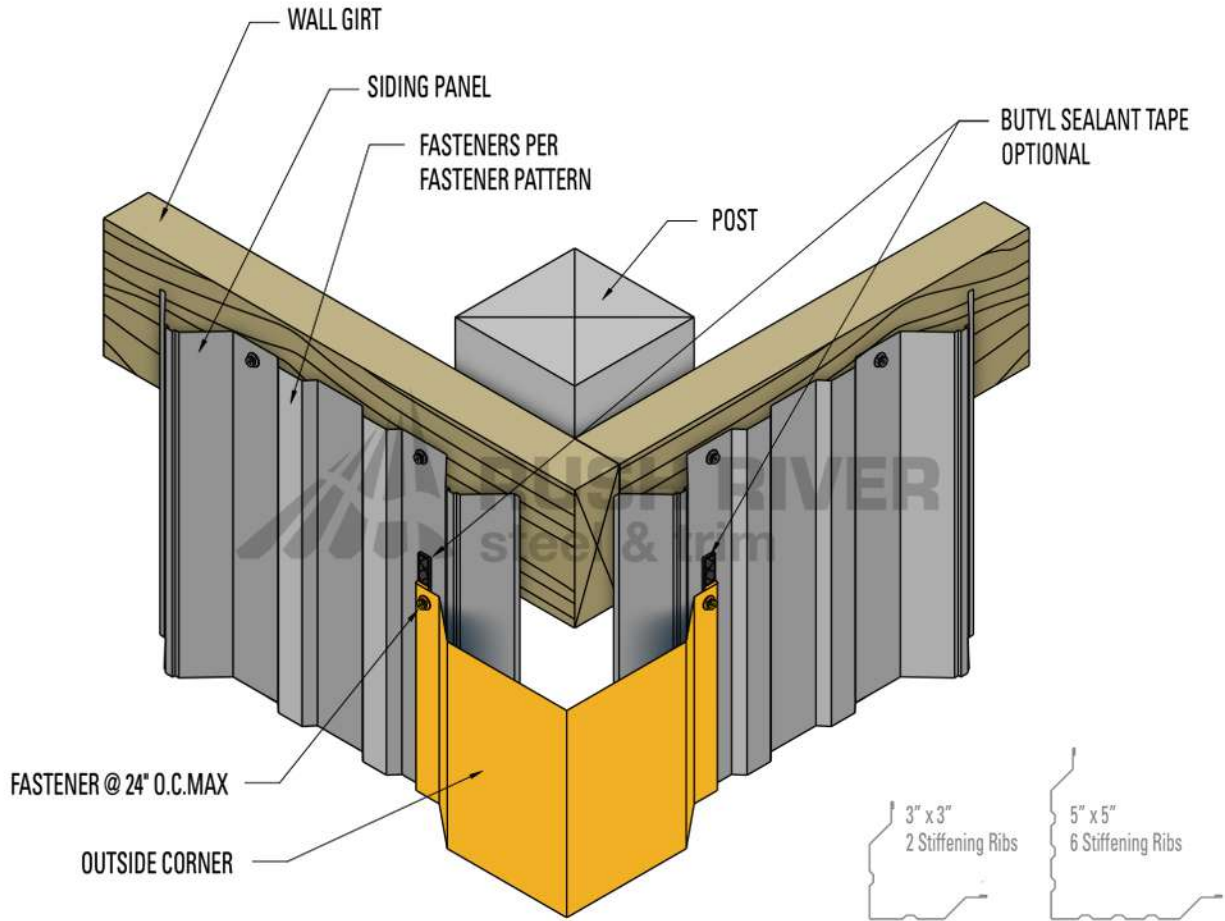
Used to accent and seal inside corners of walls



D

OUTSIDE CORNER

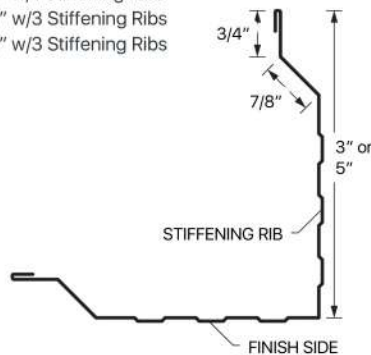
Note: Specify 3"x3" or 5"x5"



RR10 Ribbed Rake / Corner Flashing

Used to accent and seal outside corners of wall or gable ends

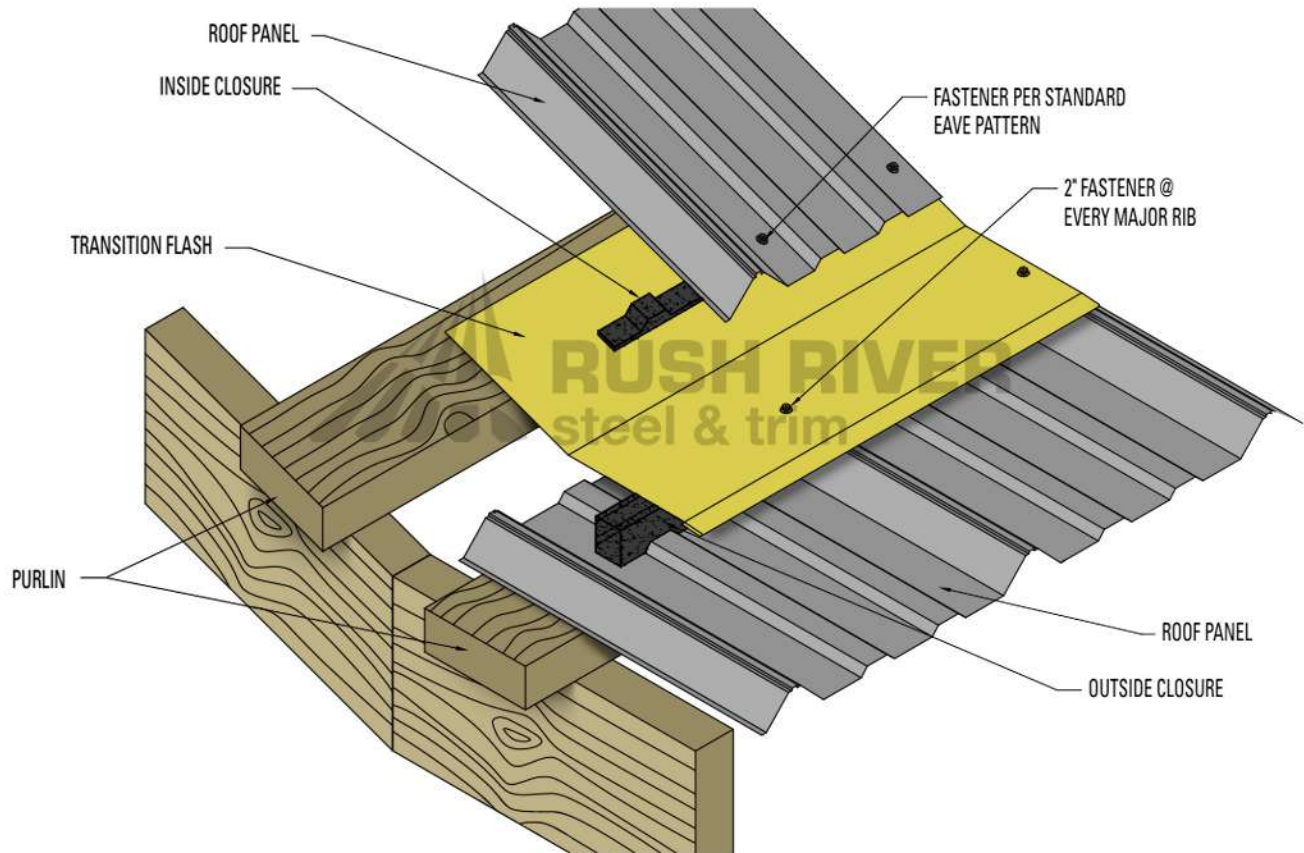
- 3"x3" w/1 Stiffening Ribs
- 3"x5" w/3 Stiffening Ribs
- 5"x5" w/3 Stiffening Ribs



DORMER TRIM

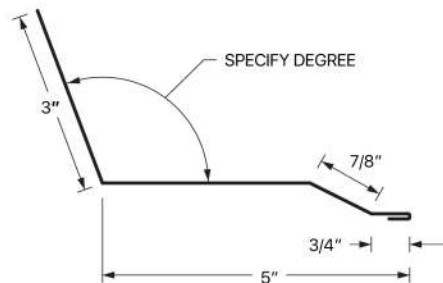
E

Note: Specify both roof pitches when ordering. Standard is 9/12 to 3/12



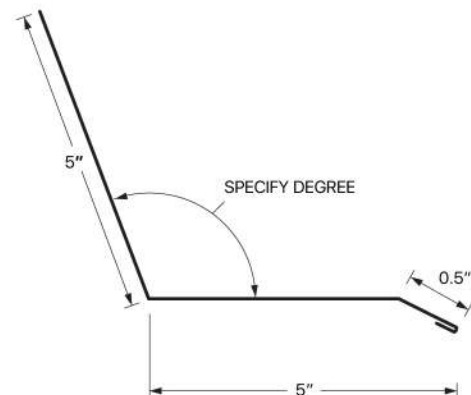
RR21A Transition Flashing

Used to transition two different roof pitches where they meet at the inside



RR21B Dormer Trim

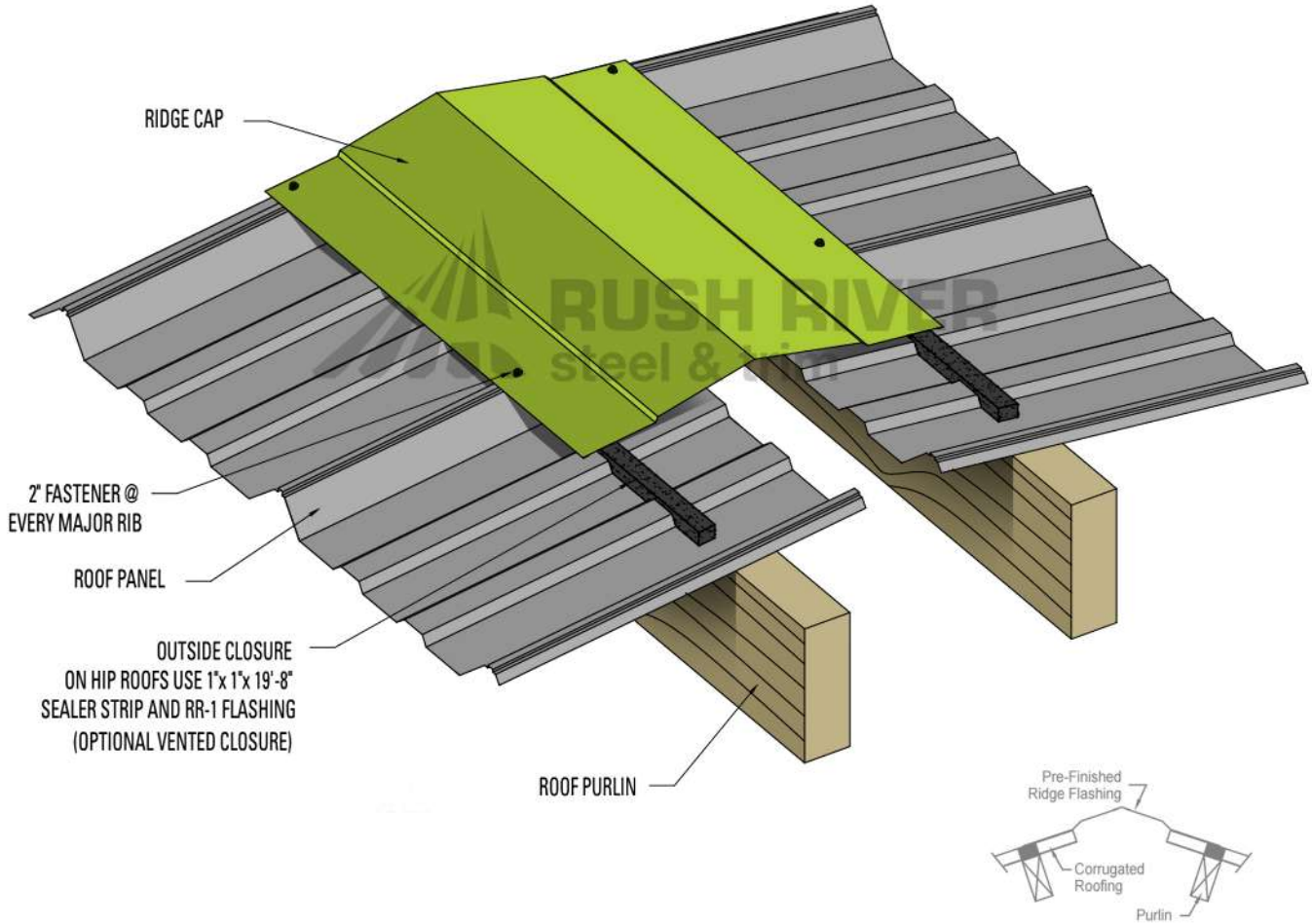
Used to create a seal on the roof panel at the vertical endwall and the bottom of dormer



F

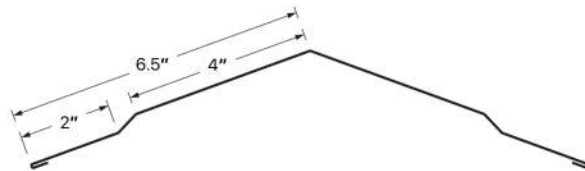
RIDGE / PEAK NON-VENTED

Optional venting material available. Size: 14" or 20"



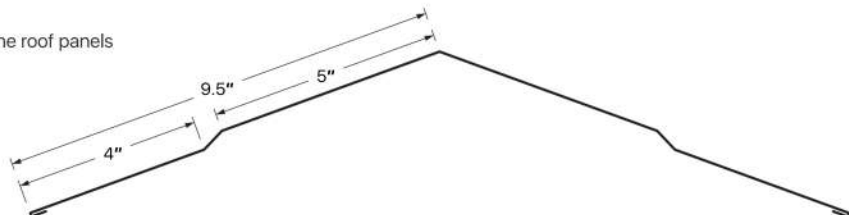
RR15 Ridge Cap 14"

Used to create a cover over the top edge or peak of the roof panels



RR16 Ridge Cap 20"

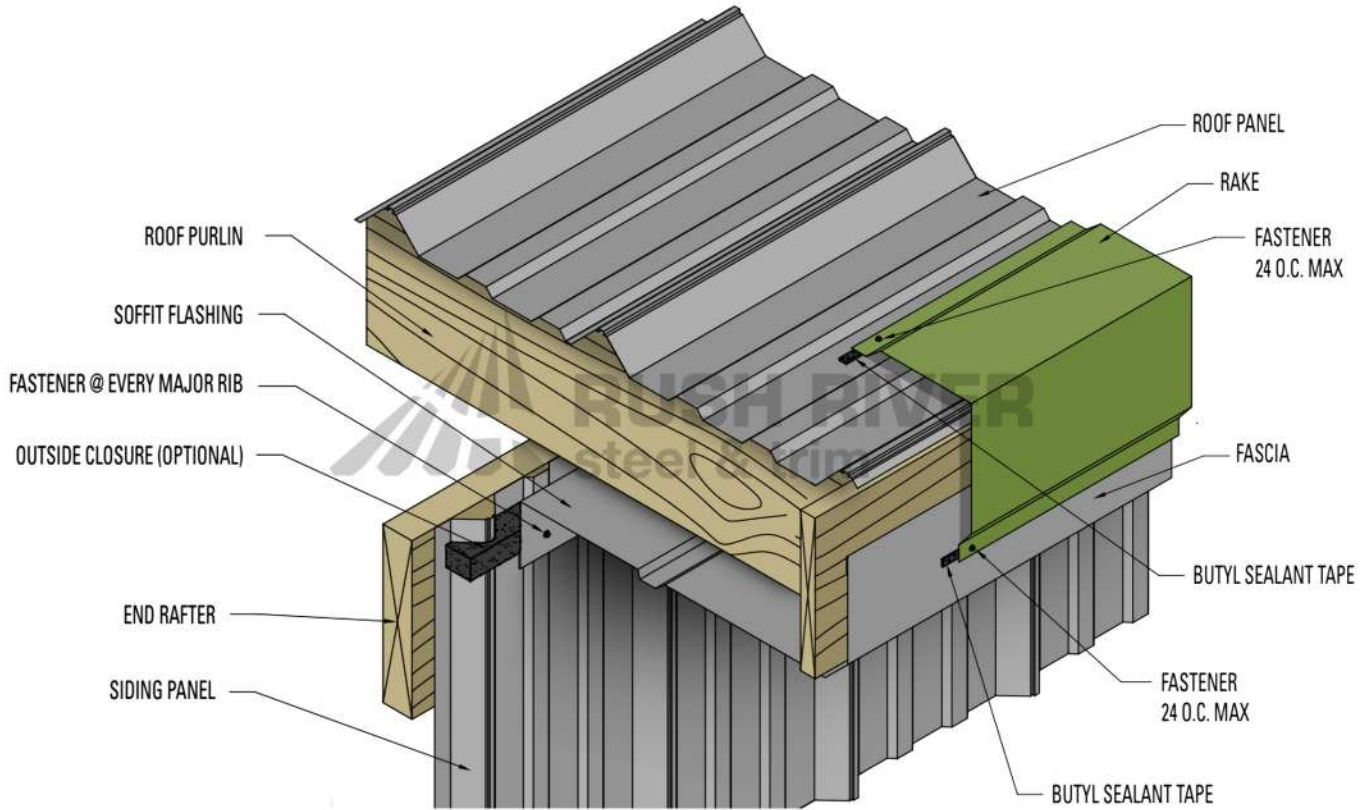
Used to create a cover over the top edge or peak of the roof panels



BOX GABLE / RAKE & CORNER

Note: Specify 3"x3" | 5"x5" | 5"x7"

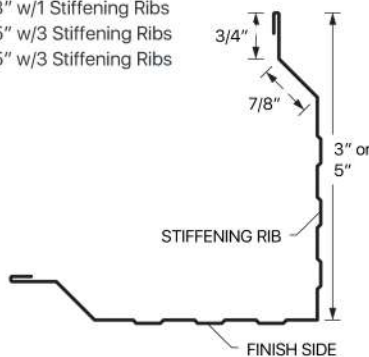
G1



RR10 Ribbed Rake / Corner Flashing

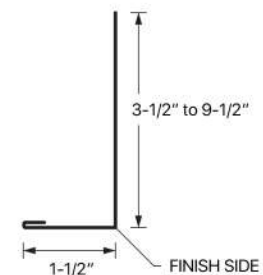
Used to accent and seal outside corners of wall or gable ends

- 3"x3" w/1 Stiffening Ribs
- 3"x5" w/3 Stiffening Ribs
- 5"x5" w/3 Stiffening Ribs



RR27A Fascia Trim

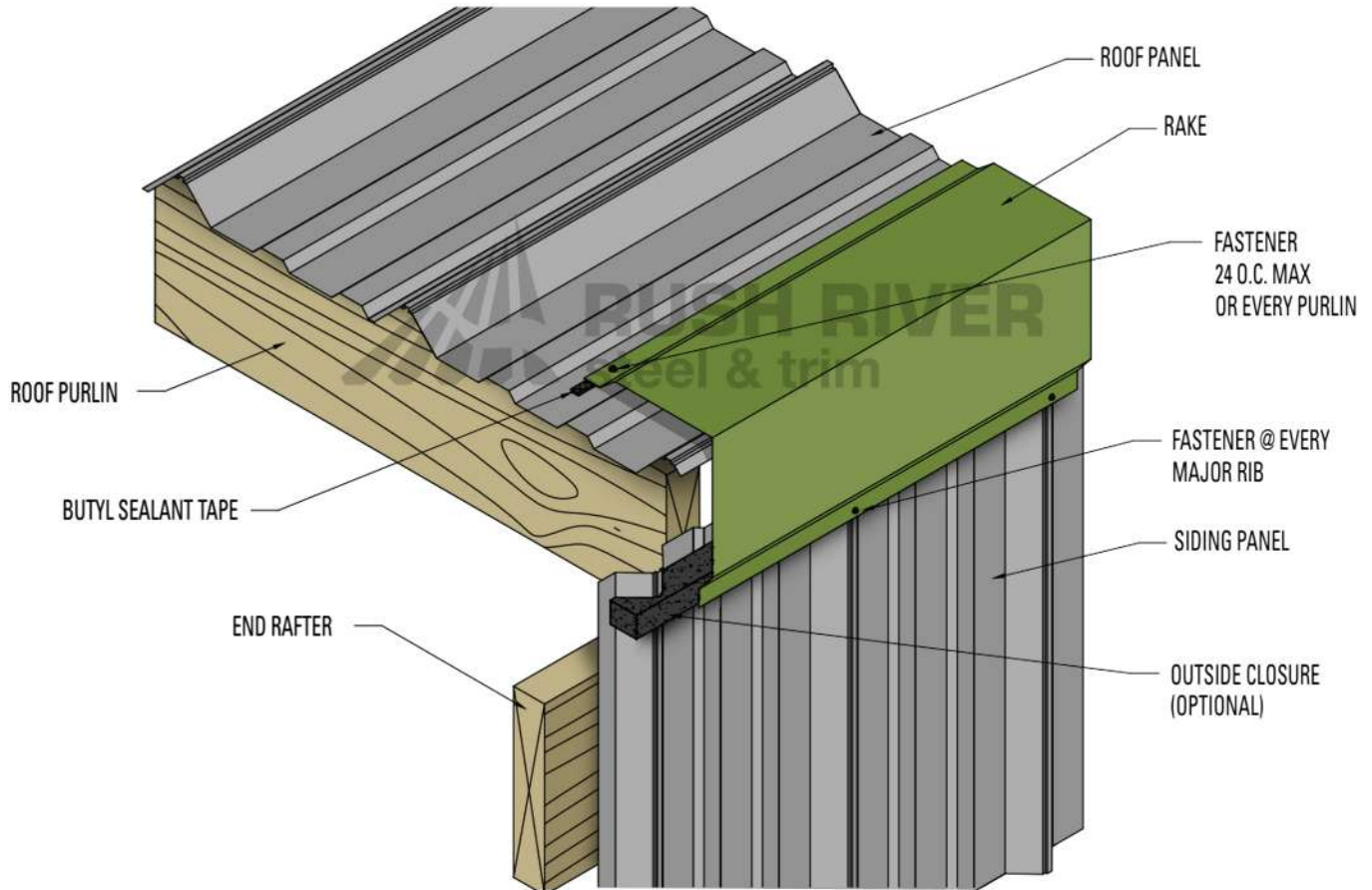
Used to accent and support Soffit panels at the eave fascia line



G2

GABLE / RAKE & CORNER

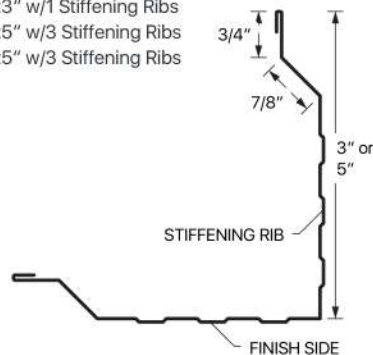
Note: Specify 3"x3" | 5"x5" | 5"x7"



RR10 Ribbed Rake / Corner Flashing

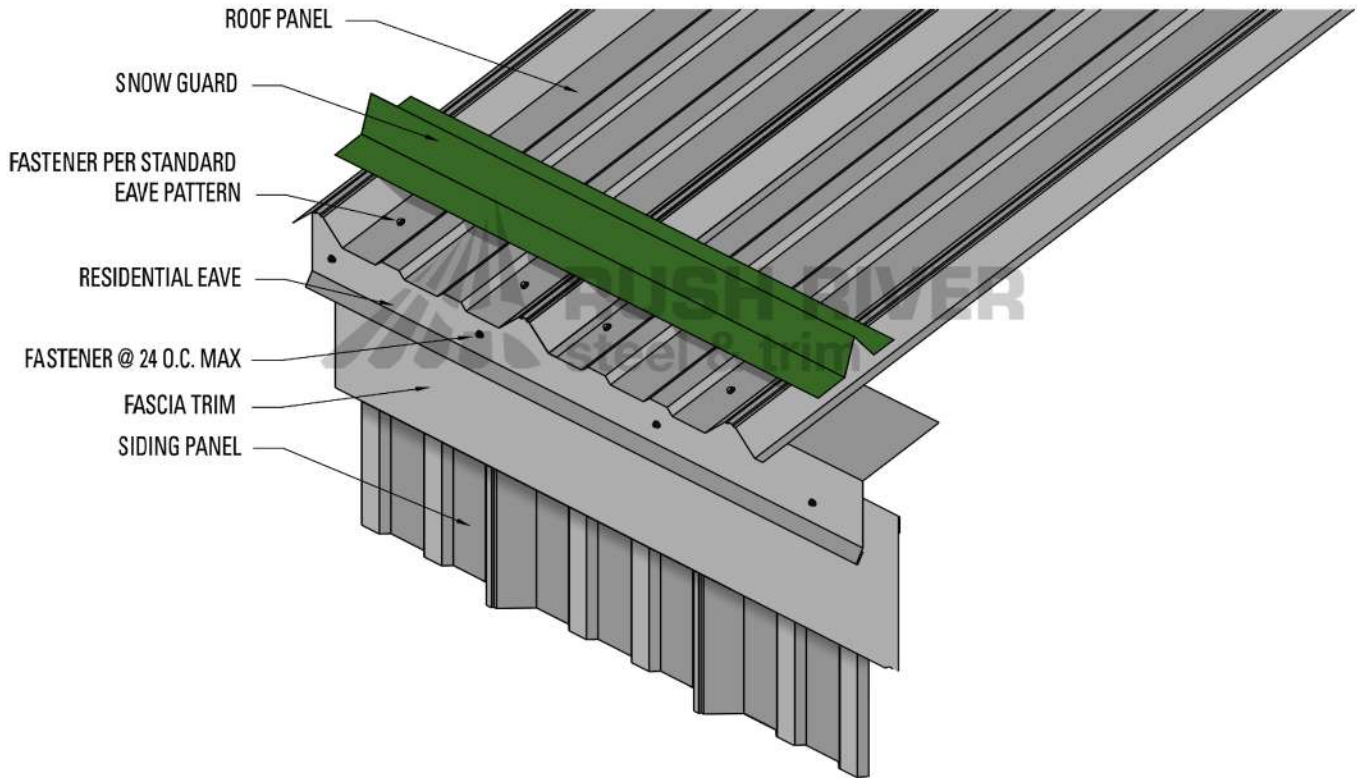
Used to accent and seal outside corners of wall or gable ends

3"x3" w/1 Stiffening Ribs
 3"x5" w/3 Stiffening Ribs
 5"x5" w/3 Stiffening Ribs

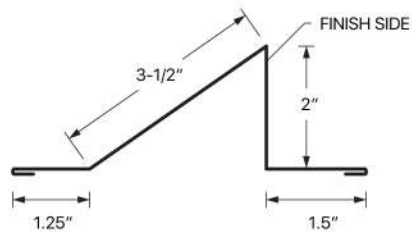


SNOW GUARD

H

**RR29 Snow Guard**

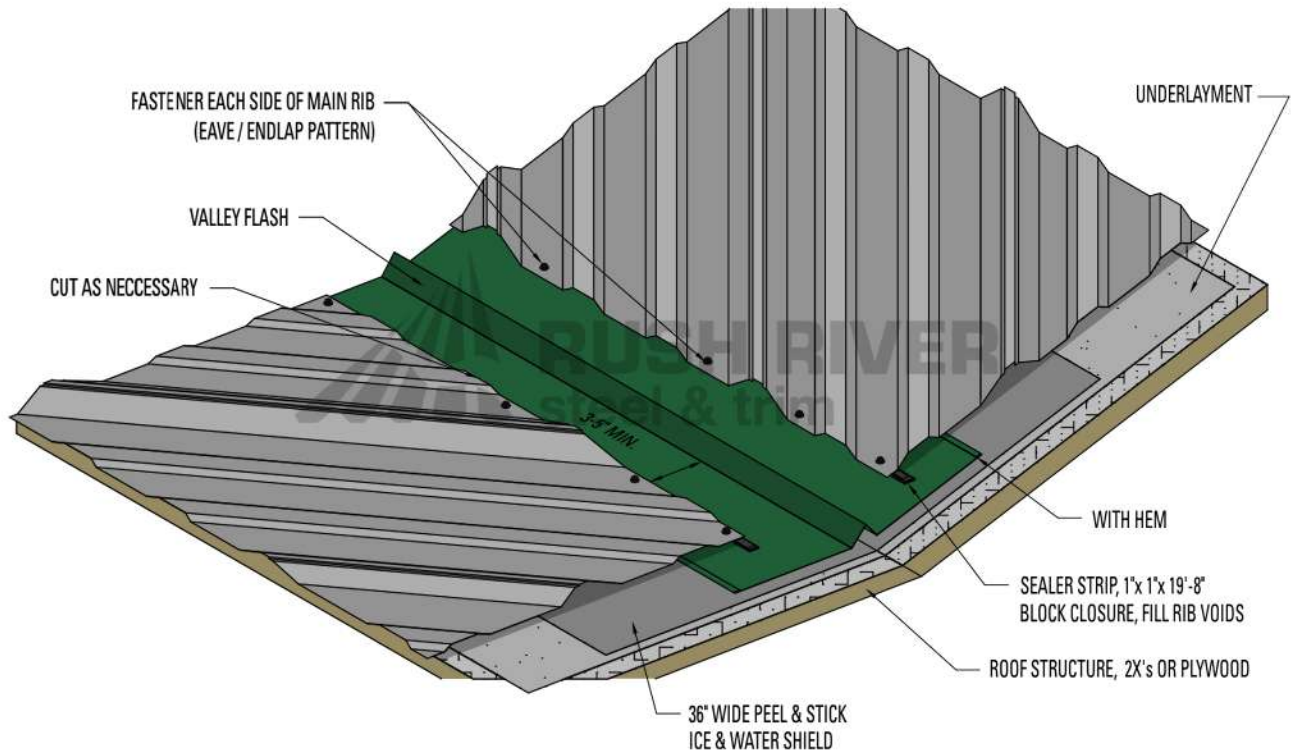
Used to provide a safe and economical way to help stop snow from coming down at once





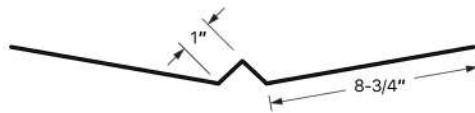
VALLEY FLASHING

Note: Valley Flash must have solid support
Larger valleys may be required for long
roof panel runs or heavy snow areas



RR19 Valley Trim

Used to seal a water line where two roof planes come together



RR20 Special Valley

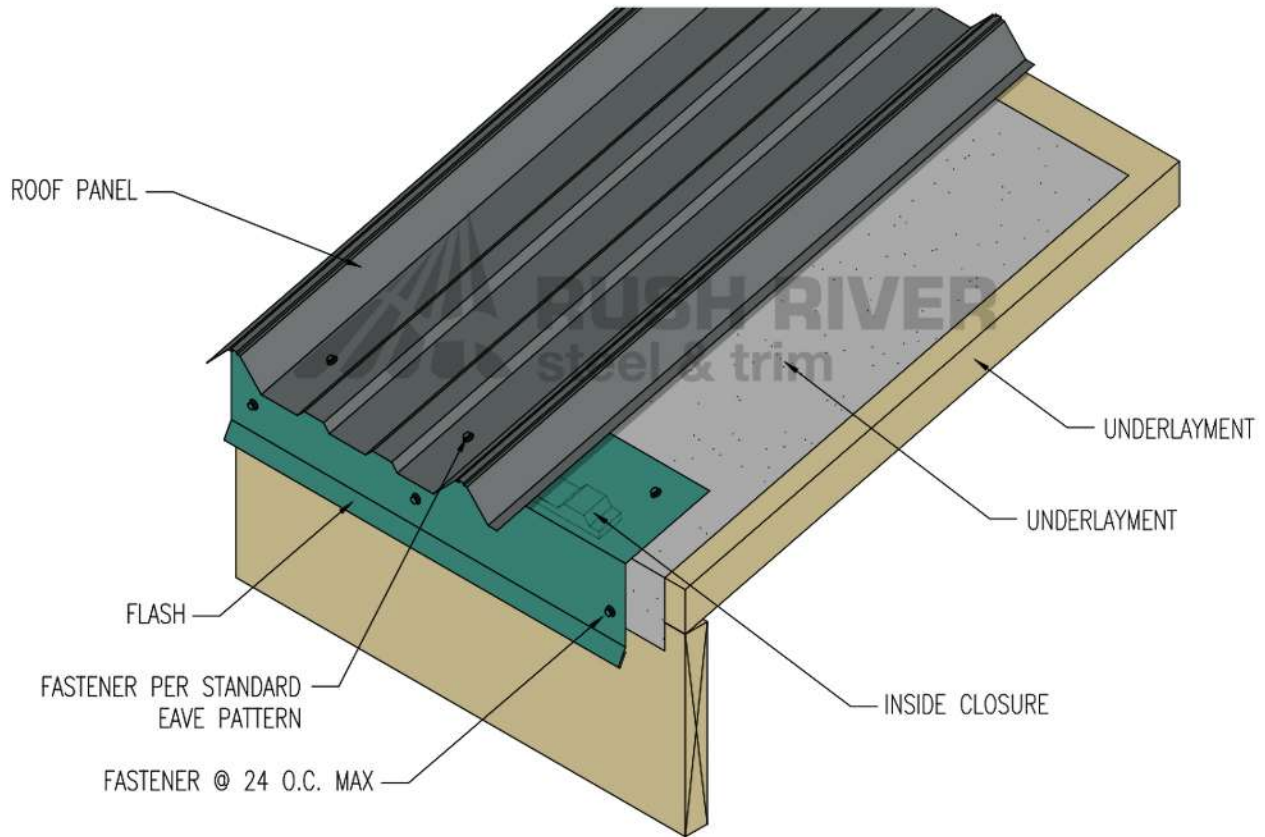
Used to seal a water line where two roof planes come together



GUTTER APRON

Note: Specify pitch

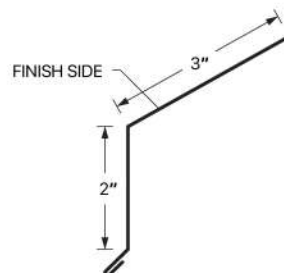
J



RR24 Gutter Apron

Used to accent and cover the exposed edges of steel at the eave fascia line

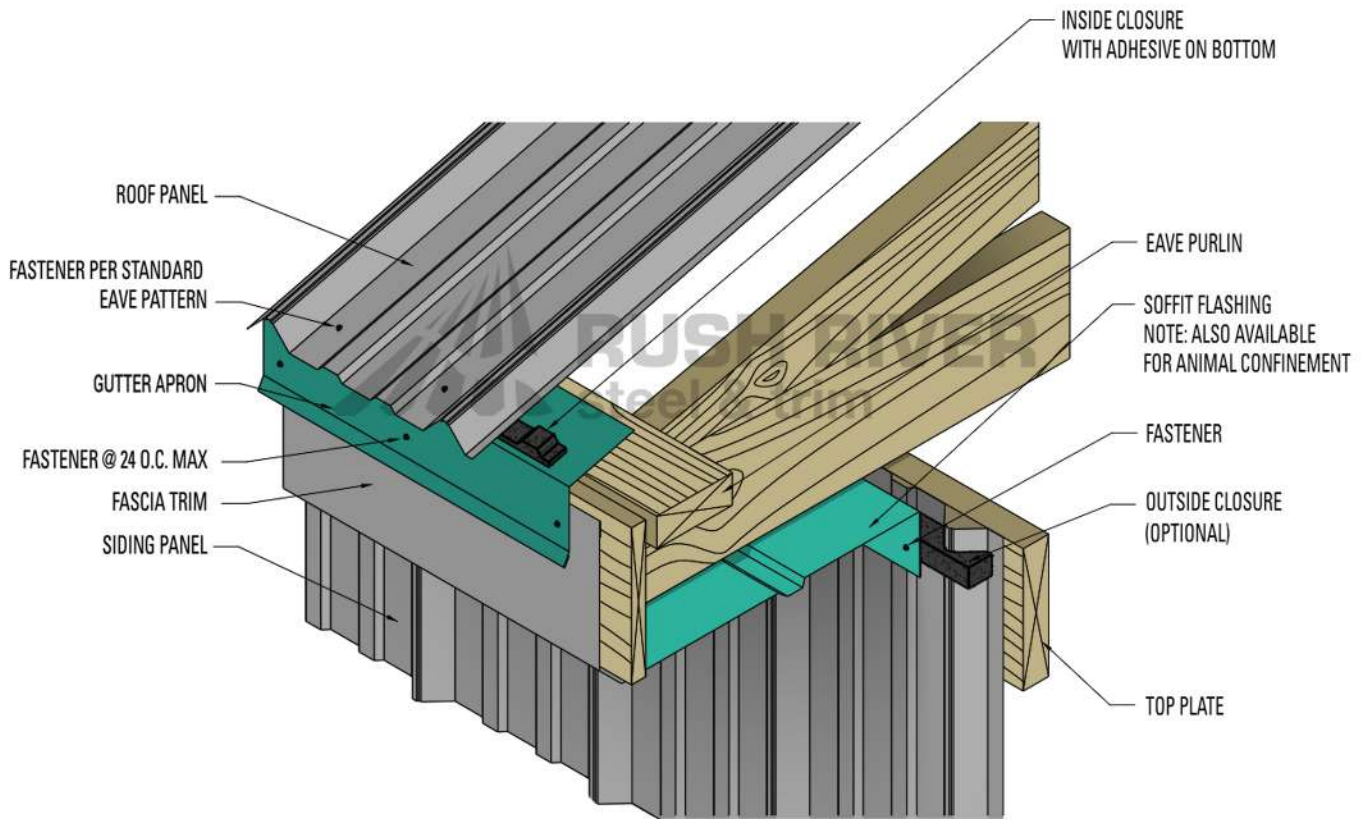
Available in:
 3"x2"
 3"x3"



K1

SOFFIT FLASHING

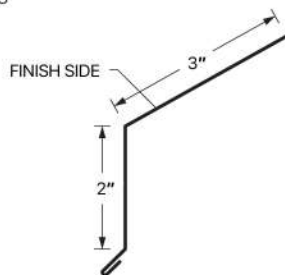
Vented & Non-Vented



RR24 Gutter Apron

Used to accent and cover the exposed edges of steel at the eave fascia line

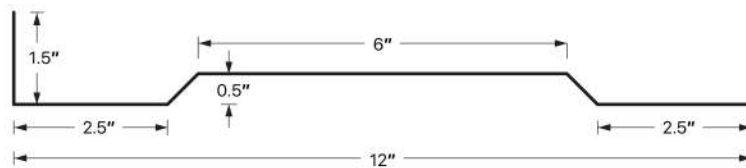
Available in:
3"x2"
3"x3"



RR45 12" Hog Barn Soffit

Used as a Soffit in a Hog barn application. 1/2 holes provides a perfect balance between adequate ventilation and keeping out birds and etc.

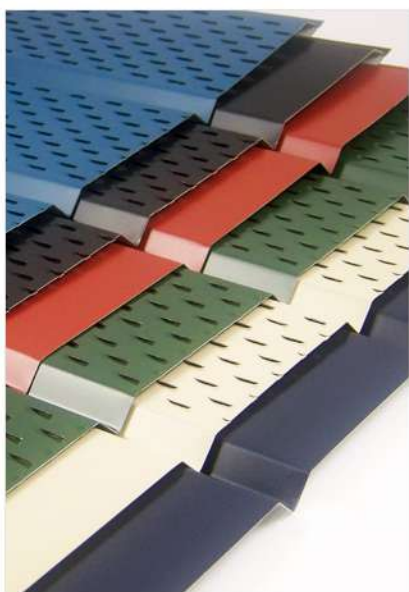
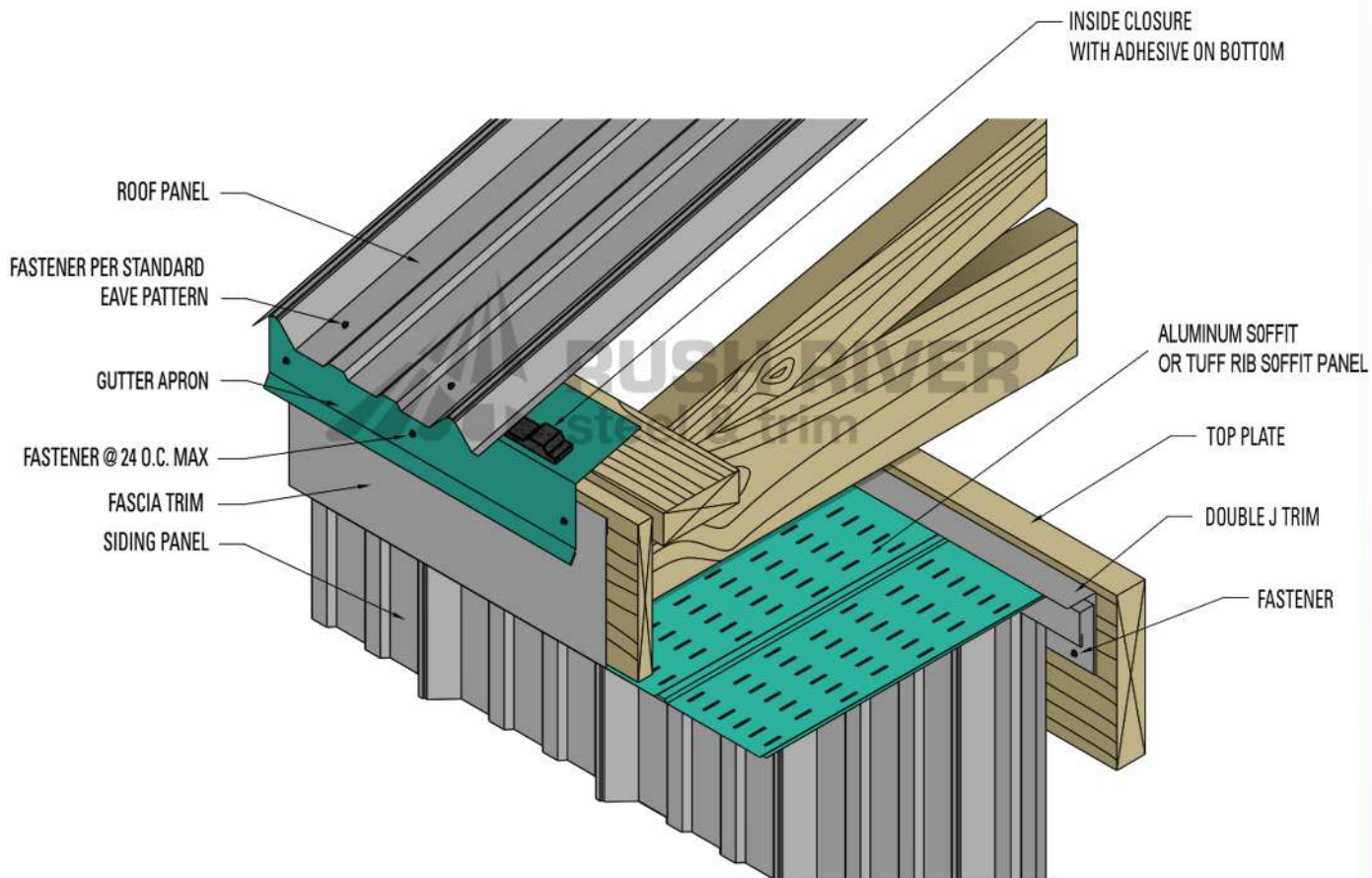
- This part comes solid or with 1/2" venting holes
- Vented Soffit is only available on 11"-12" span



ALUMINUM SOFFIT / TUFF-RIB SOFFIT PANEL

Vented & Non-Vented

K2



Aluminum Soffit/ Tuff-Rib Soffit Panel

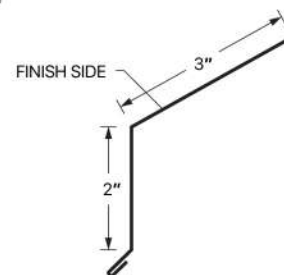
- Used to cover under eave lines and provide an air inlet for ventilation
- Available in Vented or Solid
- 16" Aluminum Soffit Panels come in 12' lengths



RR24 Gutter Apron

Used to accent and cover the exposed edges of steel at the eave fascia line

Available in:
3"x2"
3"x3"

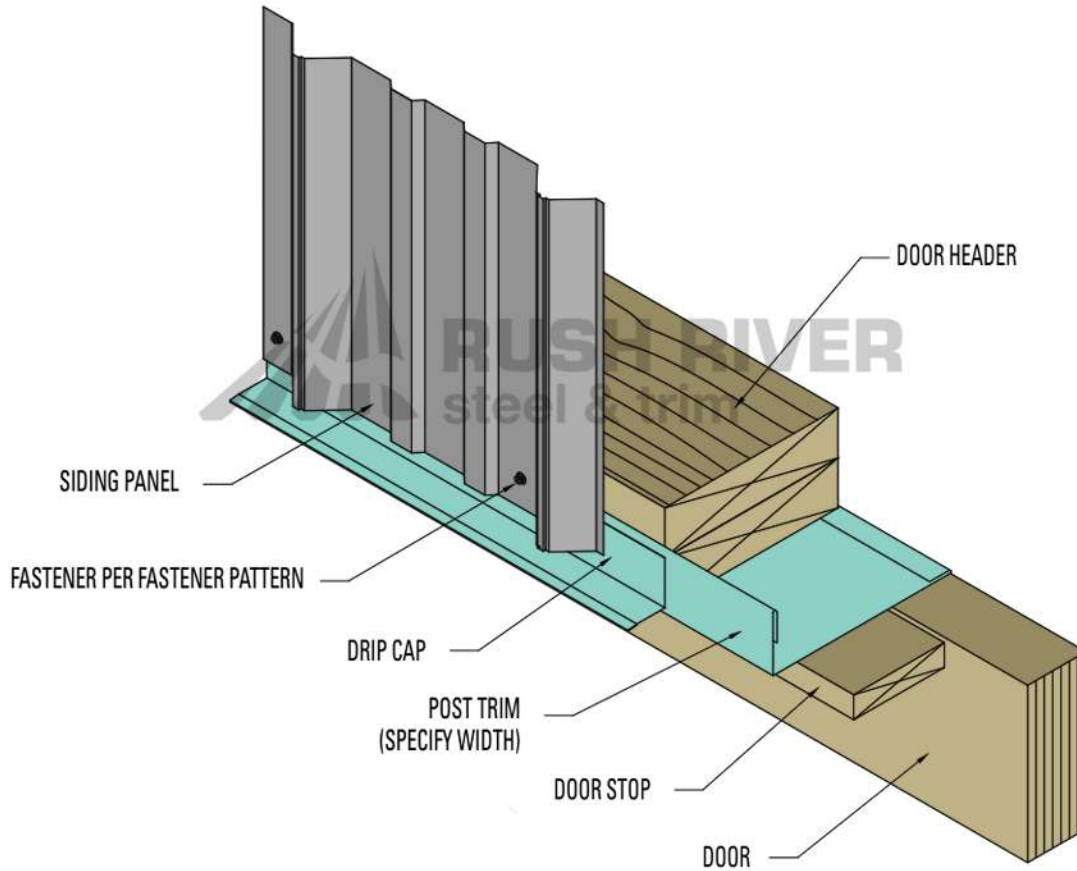


L1

DOOR HEADER DRIP CAP

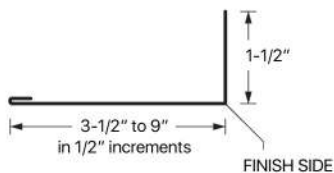
Above door and window header.

Note: This is the same detail used for sliding door base detail



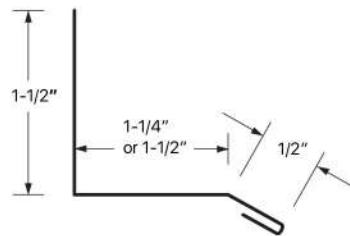
RR27B Post Trim

Use to cover exposed material on post applications



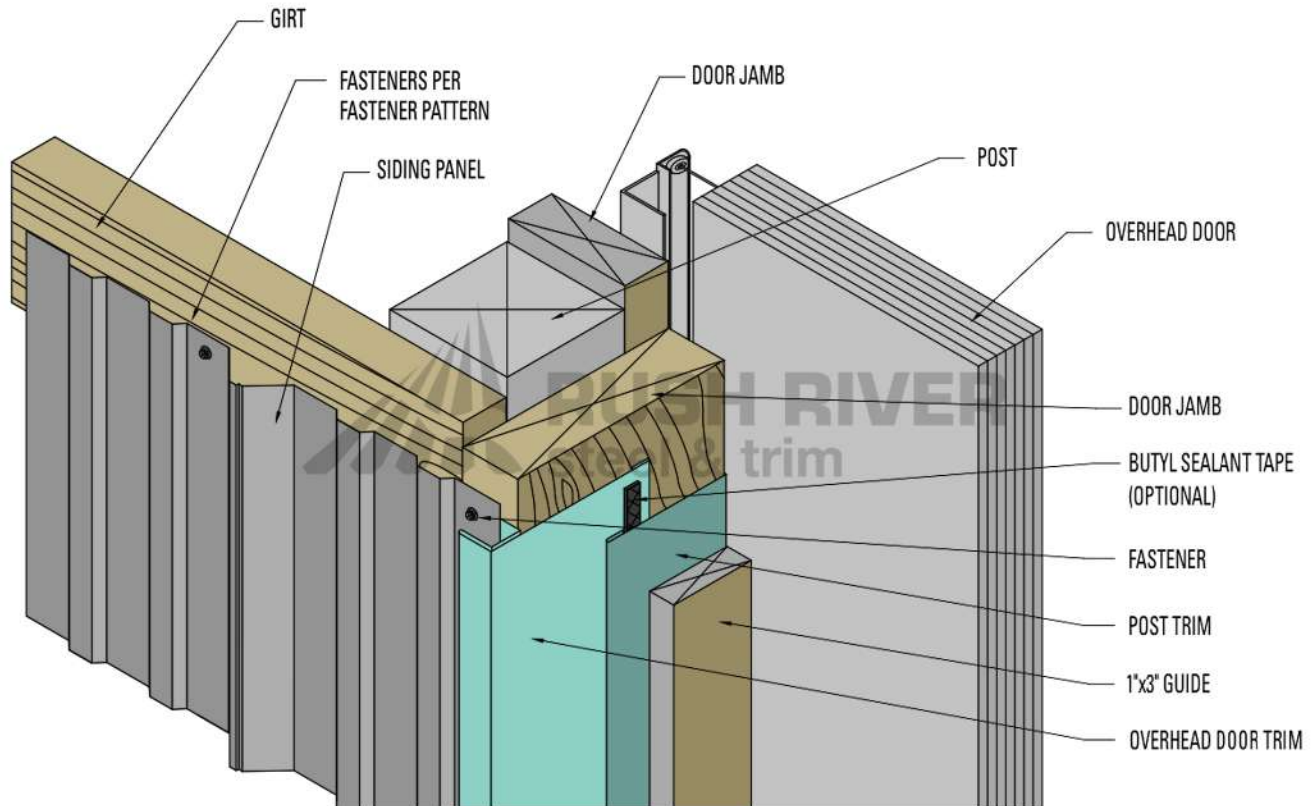
RR30 Drip Cap

Used to create a cover for windows and headers

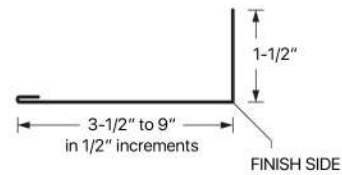


OVERHEAD DOOR JAMB

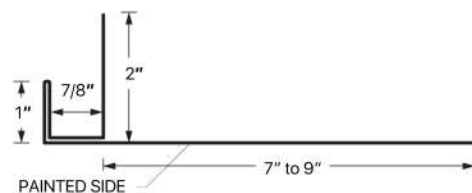
L2

**RR27B Post Trim**

Use to cover exposed material o
post applications

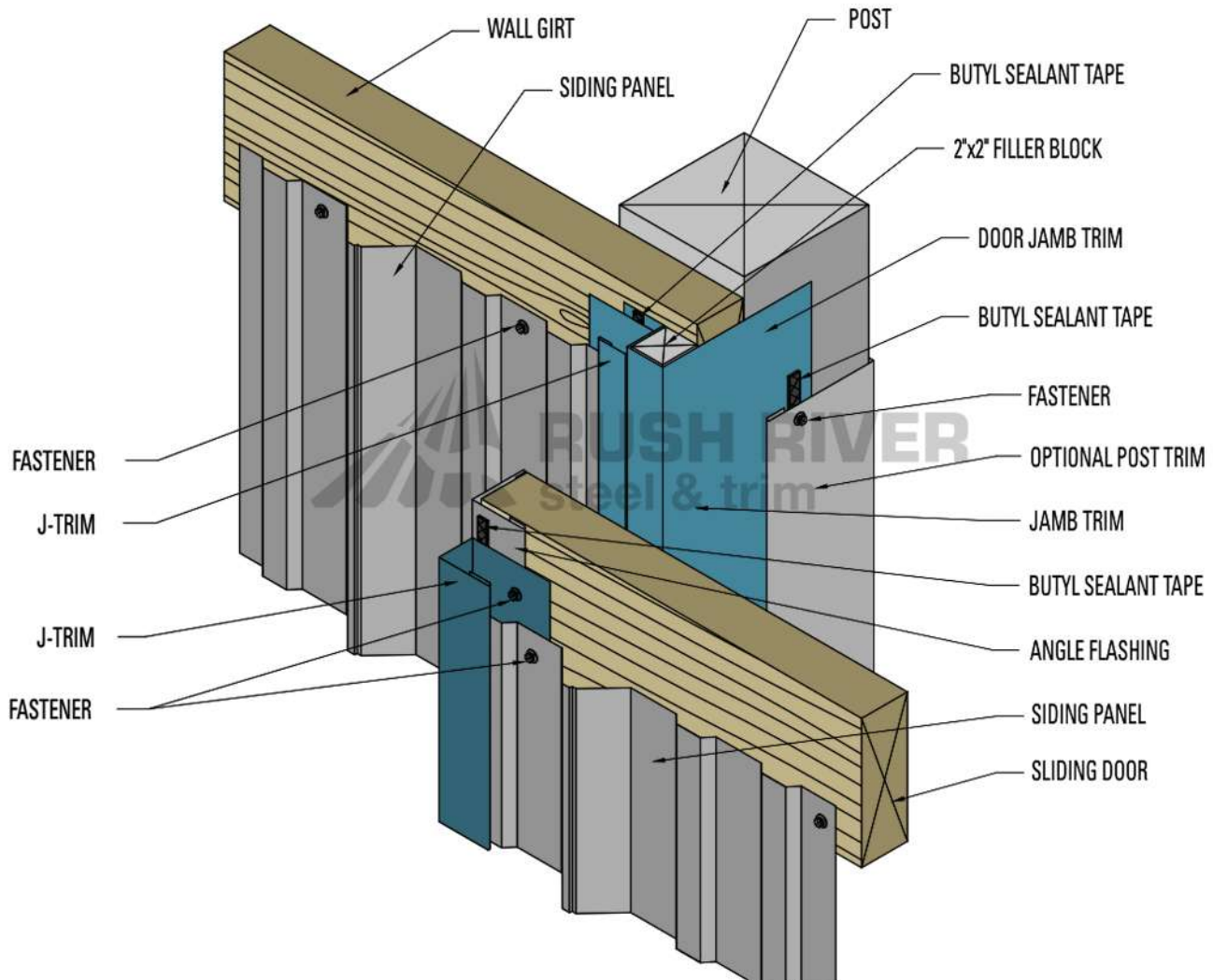
**RR34 Overhead Door Trim**

Used to accent a cover
door jamb frames with a
channel for side wall
panels

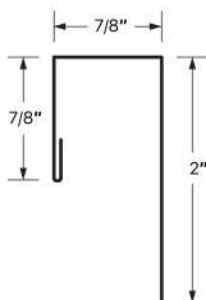


M1

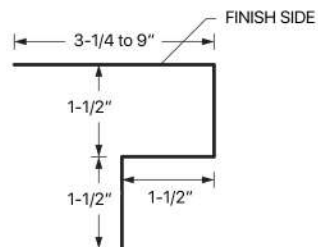
SLIDING DOOR JAMB

**RR1A J Trim**

Used as a closure and trim along the top edge of a sidewall and around windows and doors
(Can also be ordered with 5/8" opening for Summit Panel)

**RR32 Door Jamb Trim**

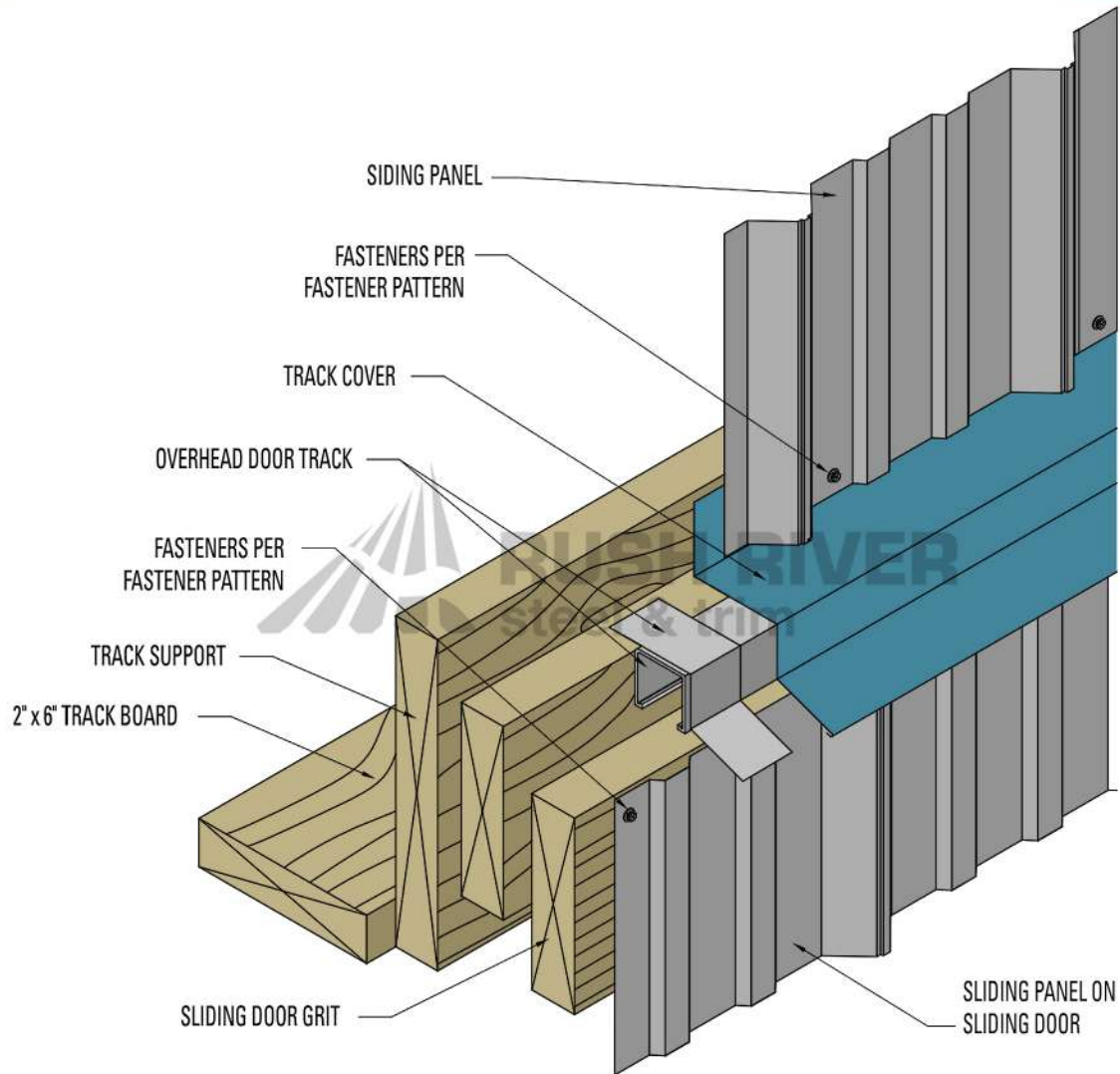
Used as a trim for sliding doors and service doors



SLIDING DOOR HEADER

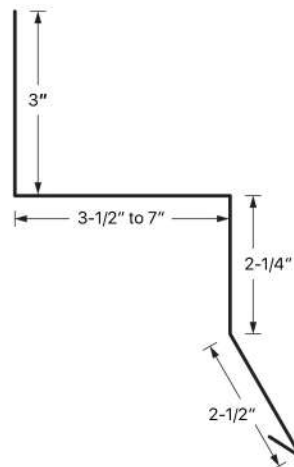
Specify square or round rail

M2



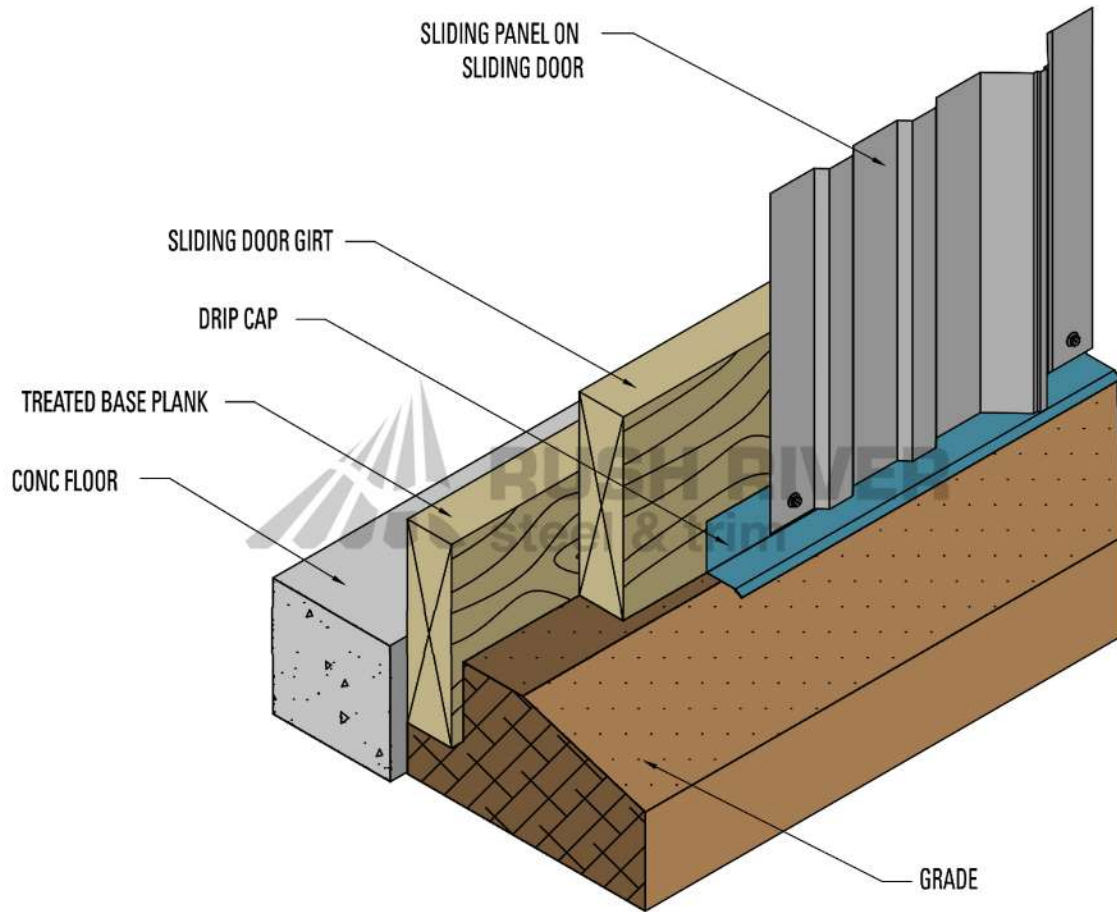
RR39 Square Track Cover

Used to provide cover and conceal a square track that is top mounted on a header



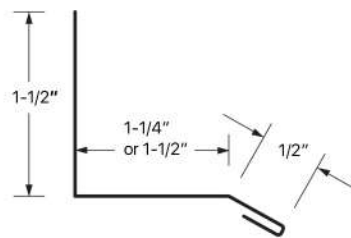
M3

SLIDING DOOR BASE



RR30 Drip Cap

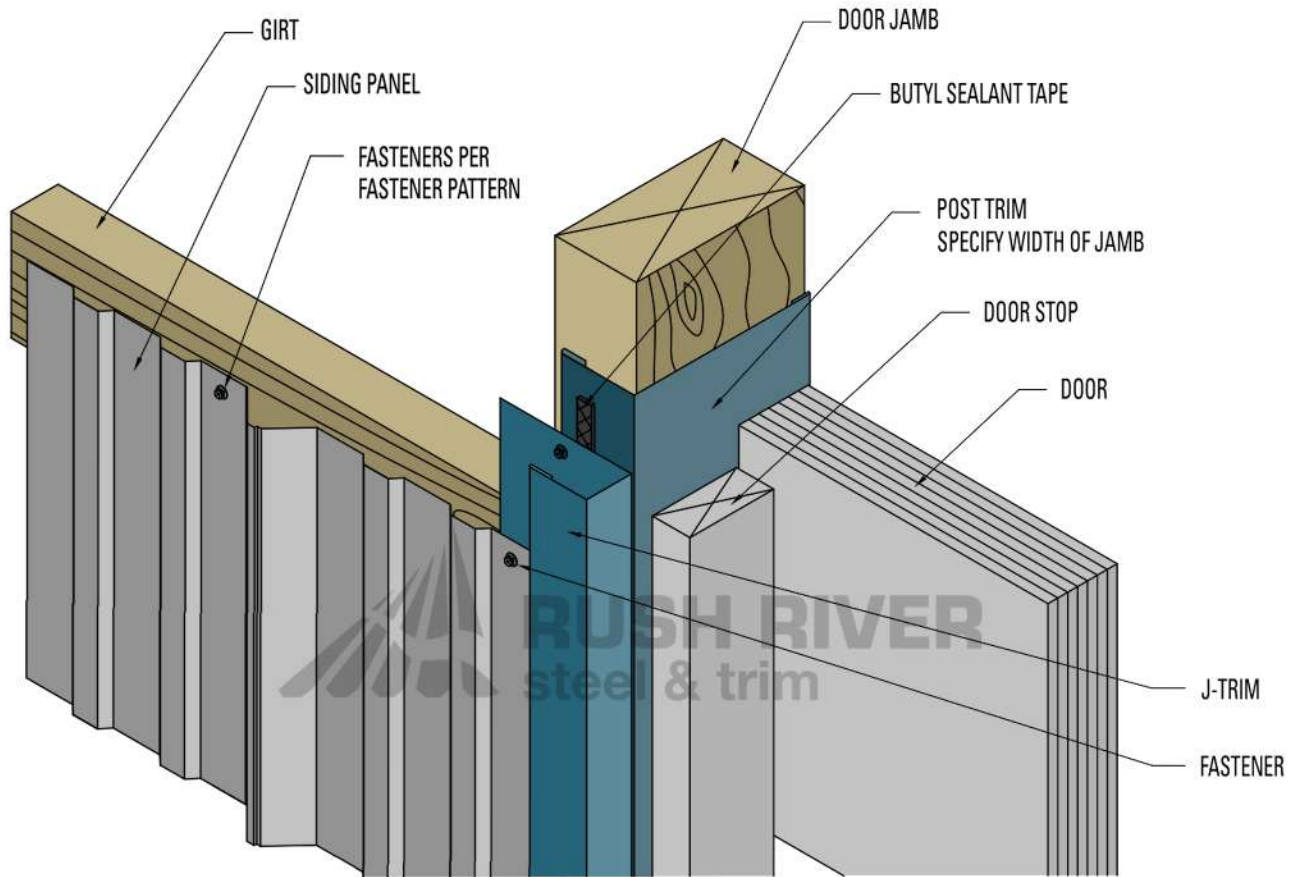
Used to create a cover for windows and headers



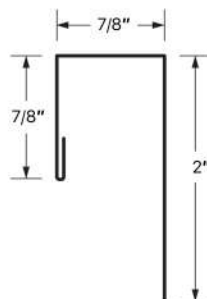
This sliding door detail is an alternative way to build this door. We provide special bottom brackets to close up the bottom. See page 72 for Sliding Door Accessories. This picture setup is not recommended

DOOR JAMB

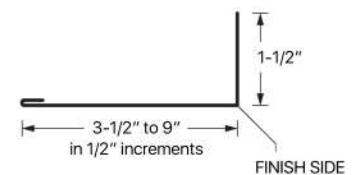
N

**RR1A J Trim**

Used as a closure and trim along the top edge of a sidewall and around windows and doors
(Can also be ordered with 5/8" opening for Summit Panel)

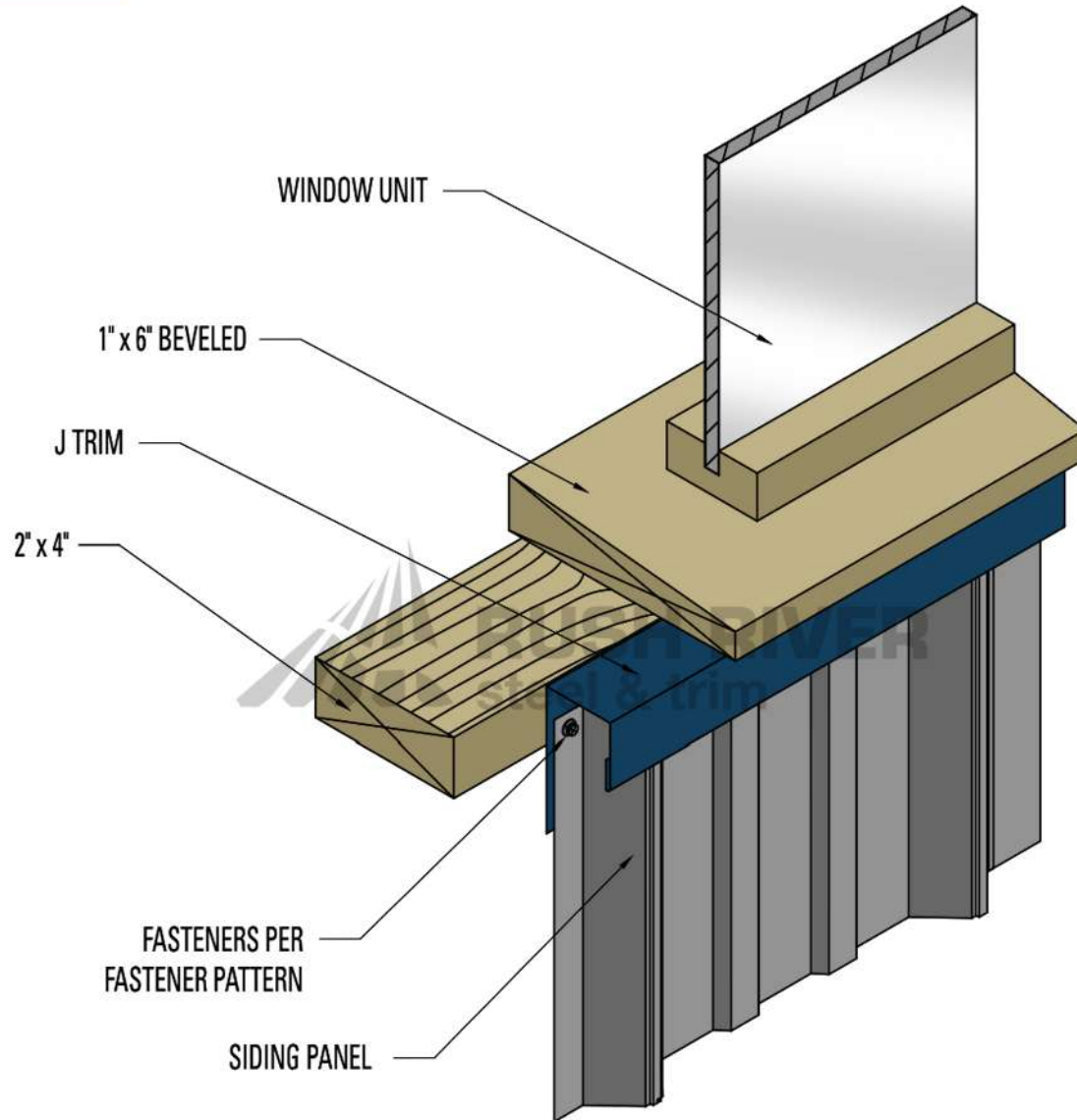
**RR27B Post Trim**

Use to cover exposed material on post applications

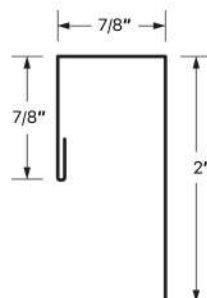


01

WINDOW SILL

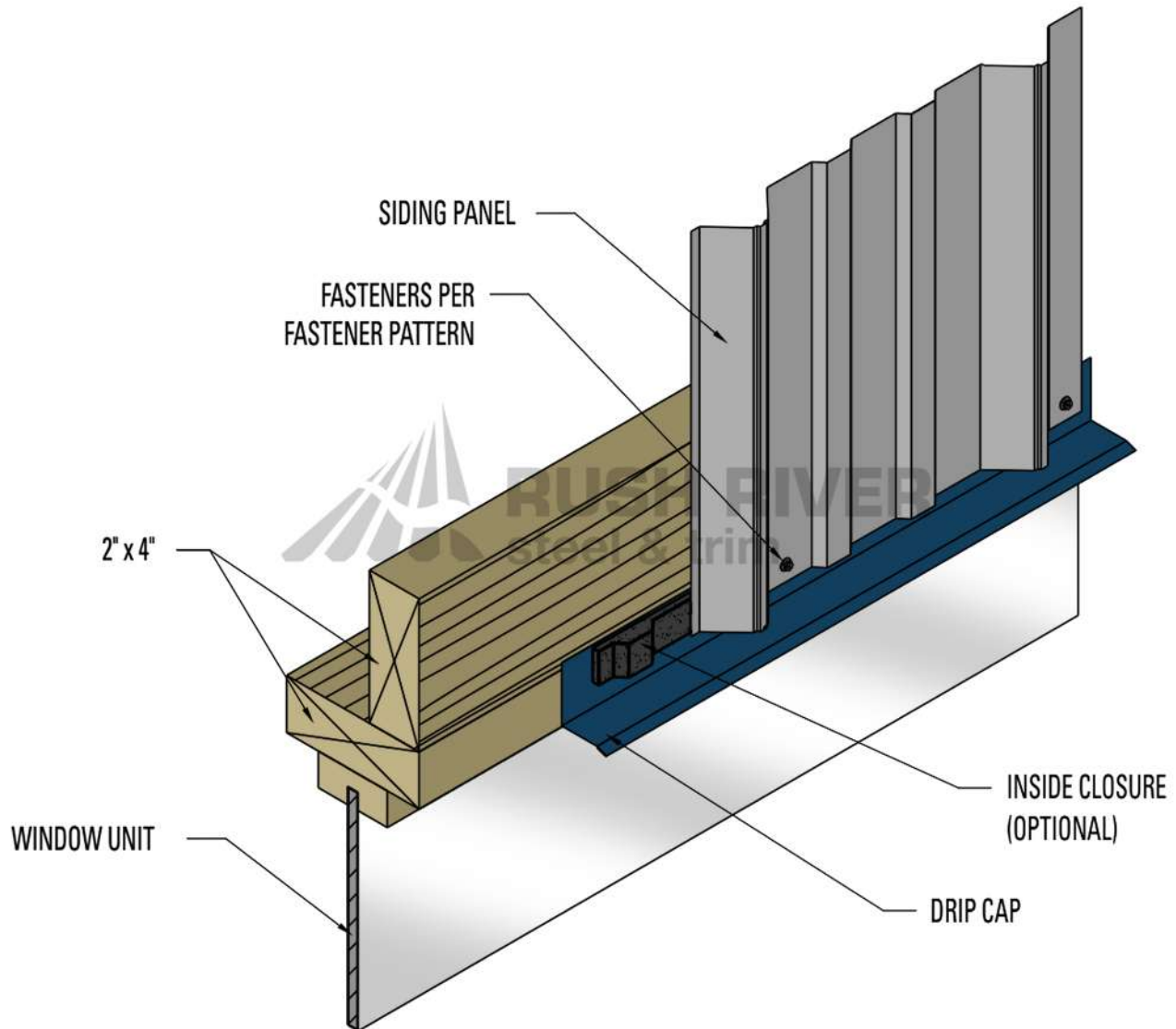
**RR1A J Trim**

Used as a closure and trim along the top edge of a sidewall and around windows and doors
 (Can also be ordered with 5/8" opening for Summit Panel)

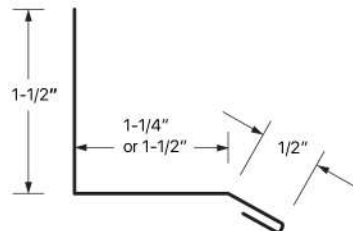


WINDOW HEADER

02

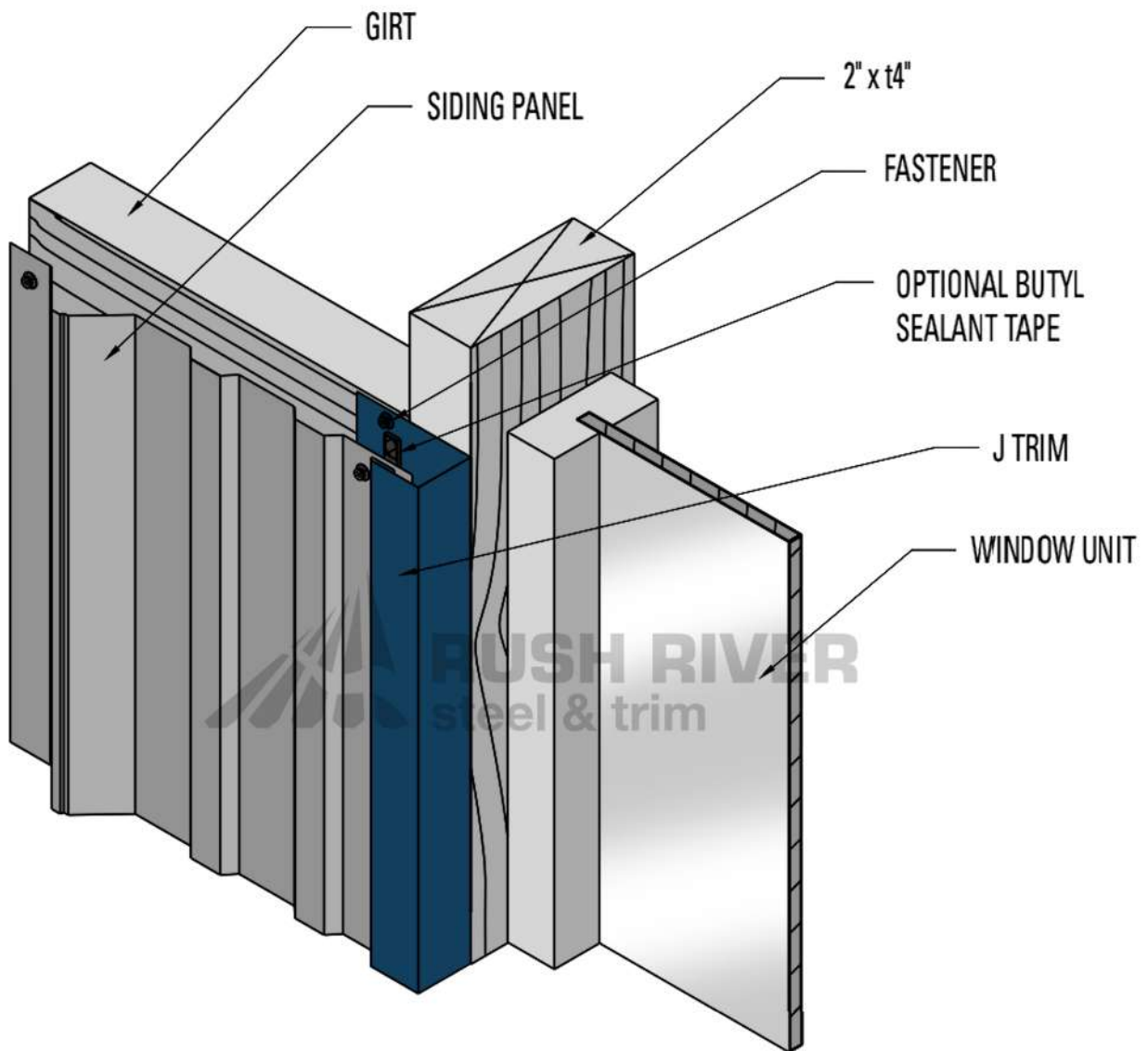
**RR30 Drip Cap**

Used to create a cover for windows and headers

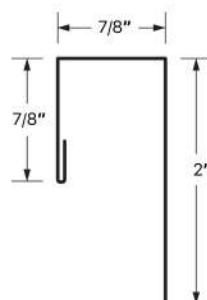


03

WINDOW JAMB

**RR1A J Trim**

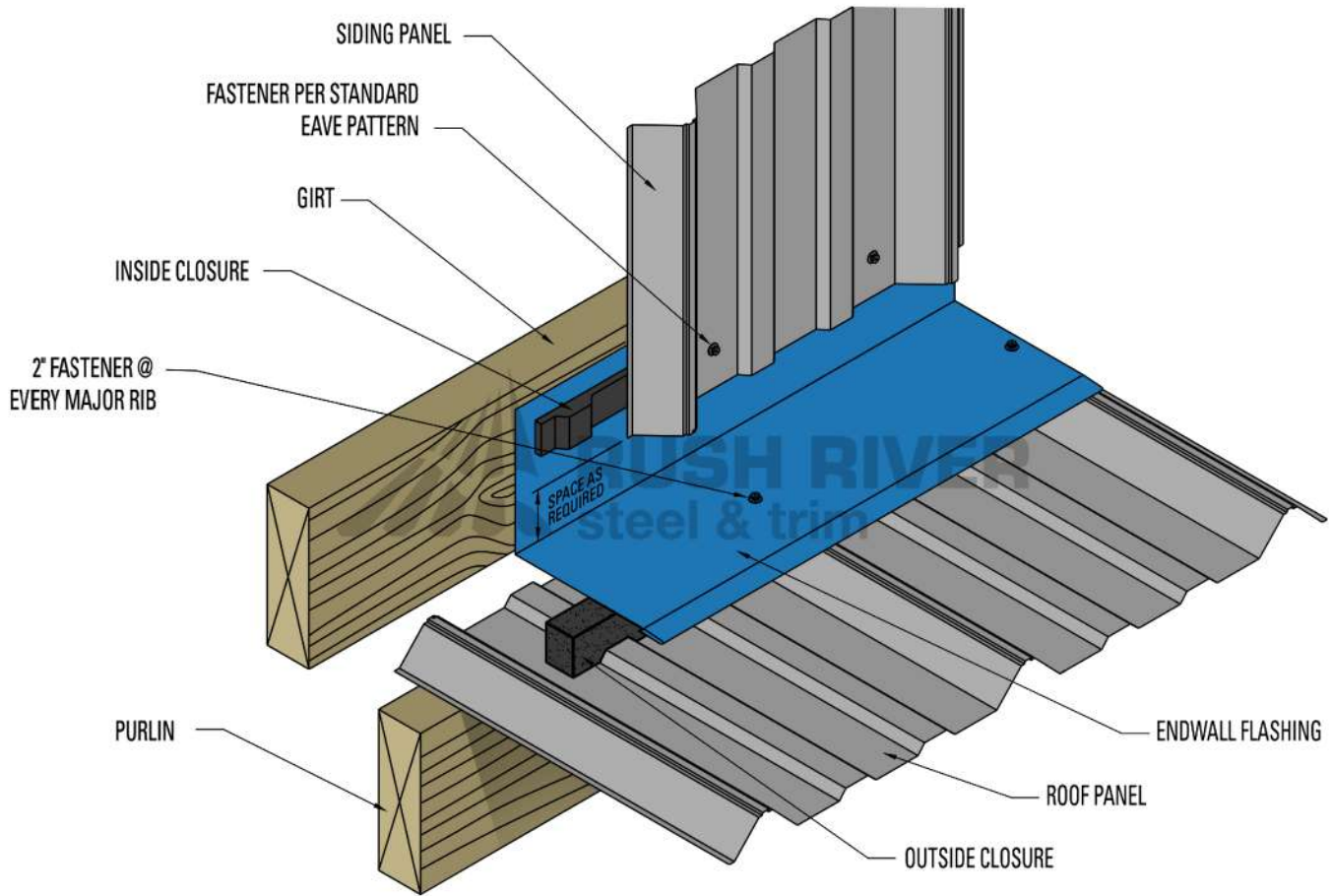
Used as a closure and trim along the top edge of a sidewall and around windows and doors
 (Can also be ordered with 5/8" opening for Summit Panel)



TRANSITION FLASHING

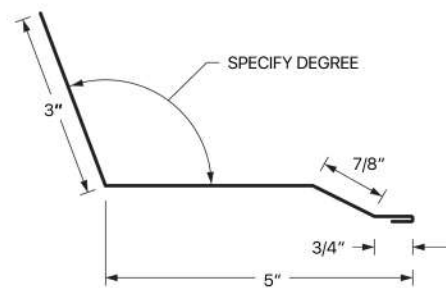
Note: Specify pitch

P



RR21A Transition Flashing

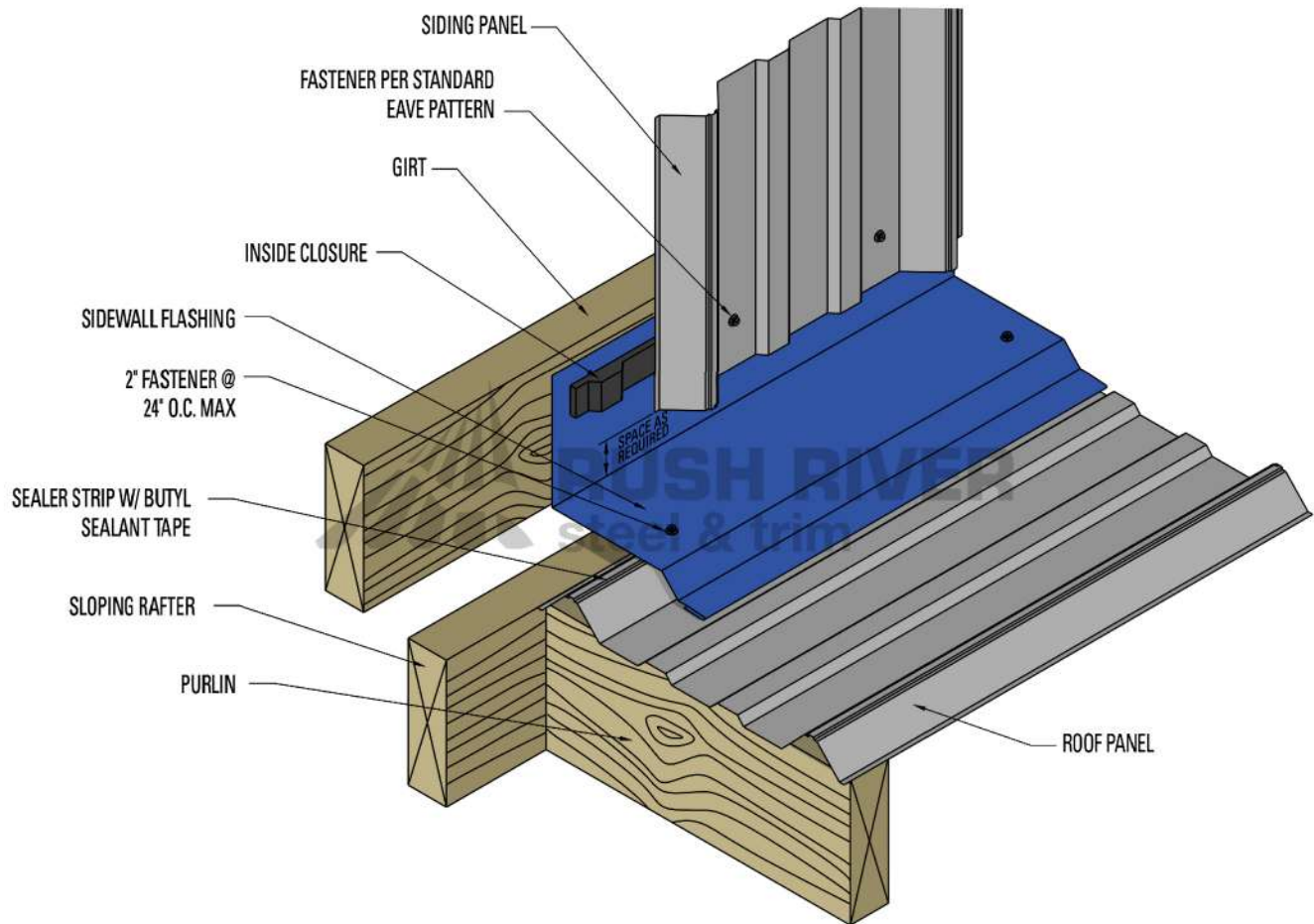
Used to transition two different roof pitches where they meet at the inside



Q

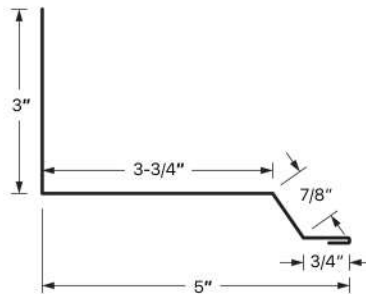
UNIVERSAL SIDEWALL

Note: Specify pitch | Standard: 90°



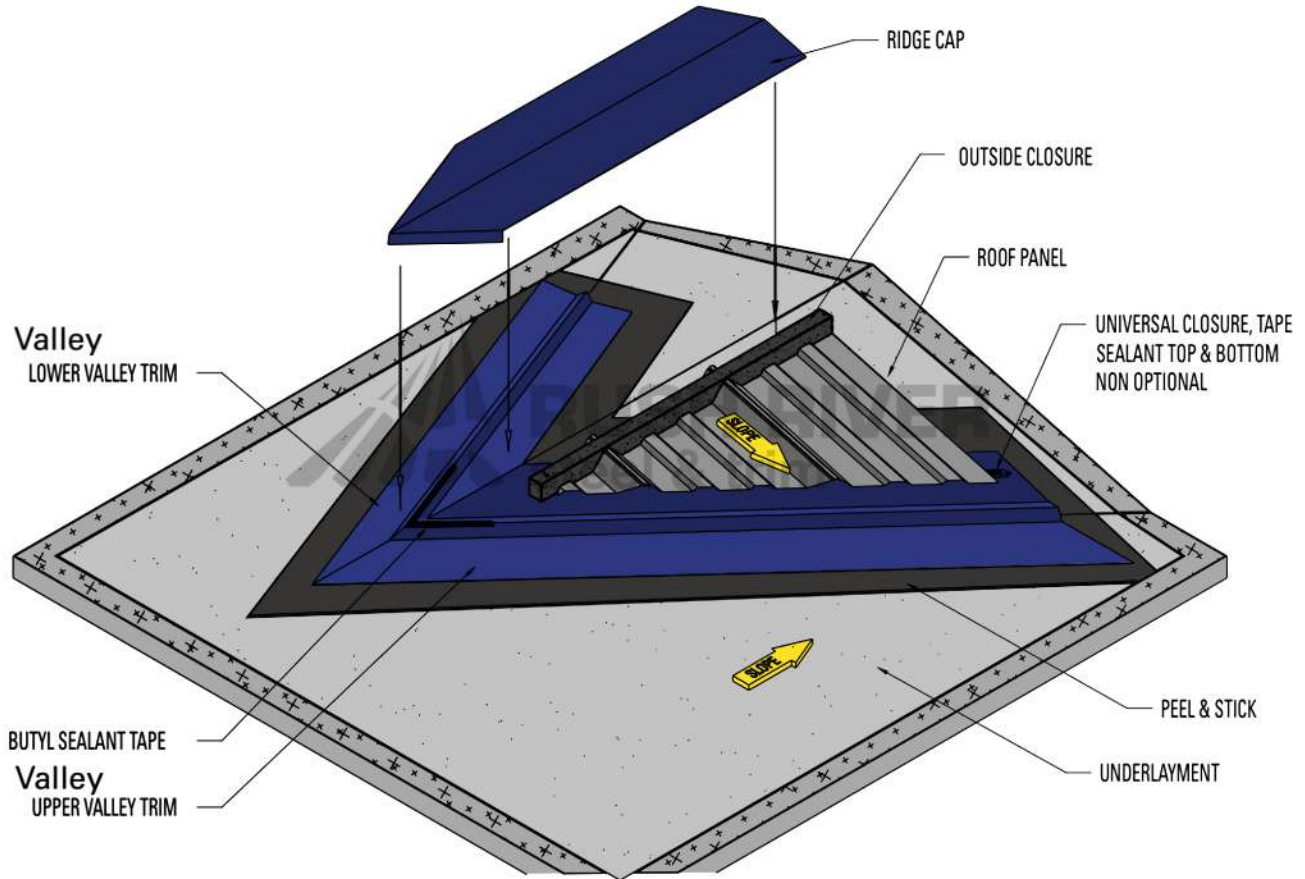
RR31 Universal Sidewall

Used to create a seal on the roof panel at the vertical sidewall and the side of a dormer

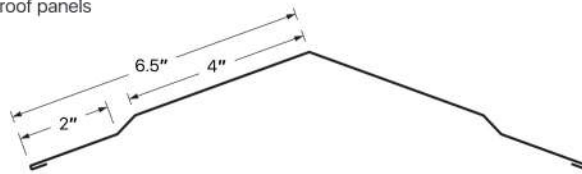


DORMER VALLEY

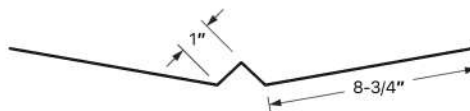
R

**RR15** Ridge Cap 14"

Used to create a cover over the top edge or peak of the roof panels

**RR19** Valley Trim

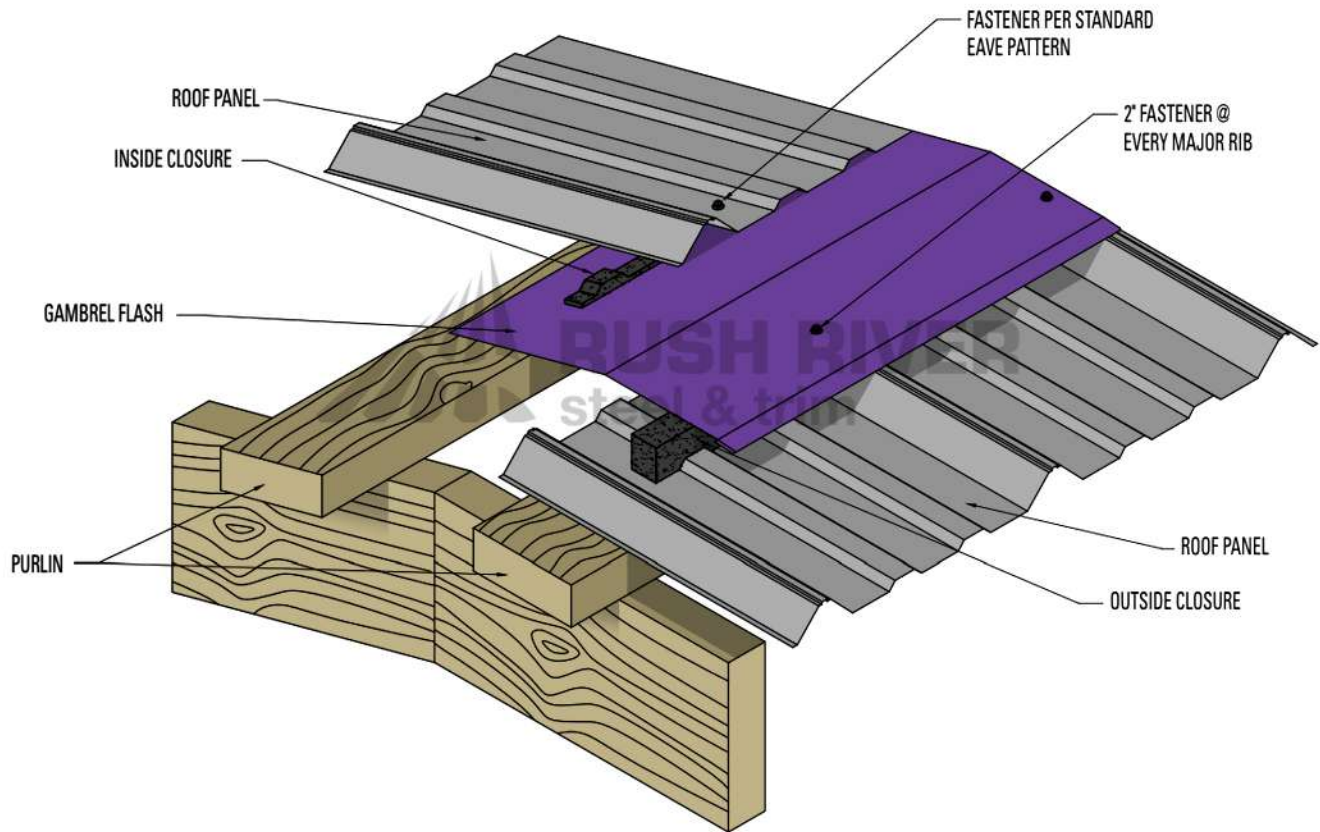
Used to seal a water line where two roof planes come together



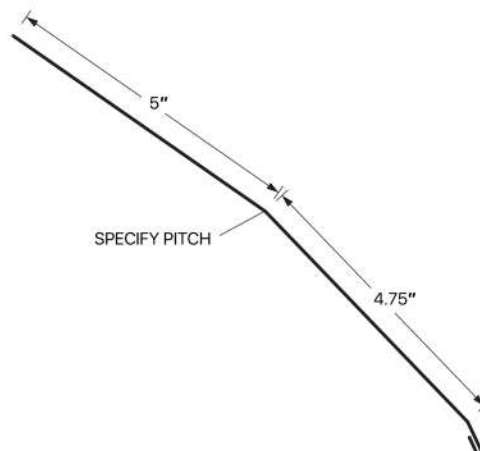
S

GAMBREL

Note: Specify both roof pitches when ordering

**RR22 Gambrel**

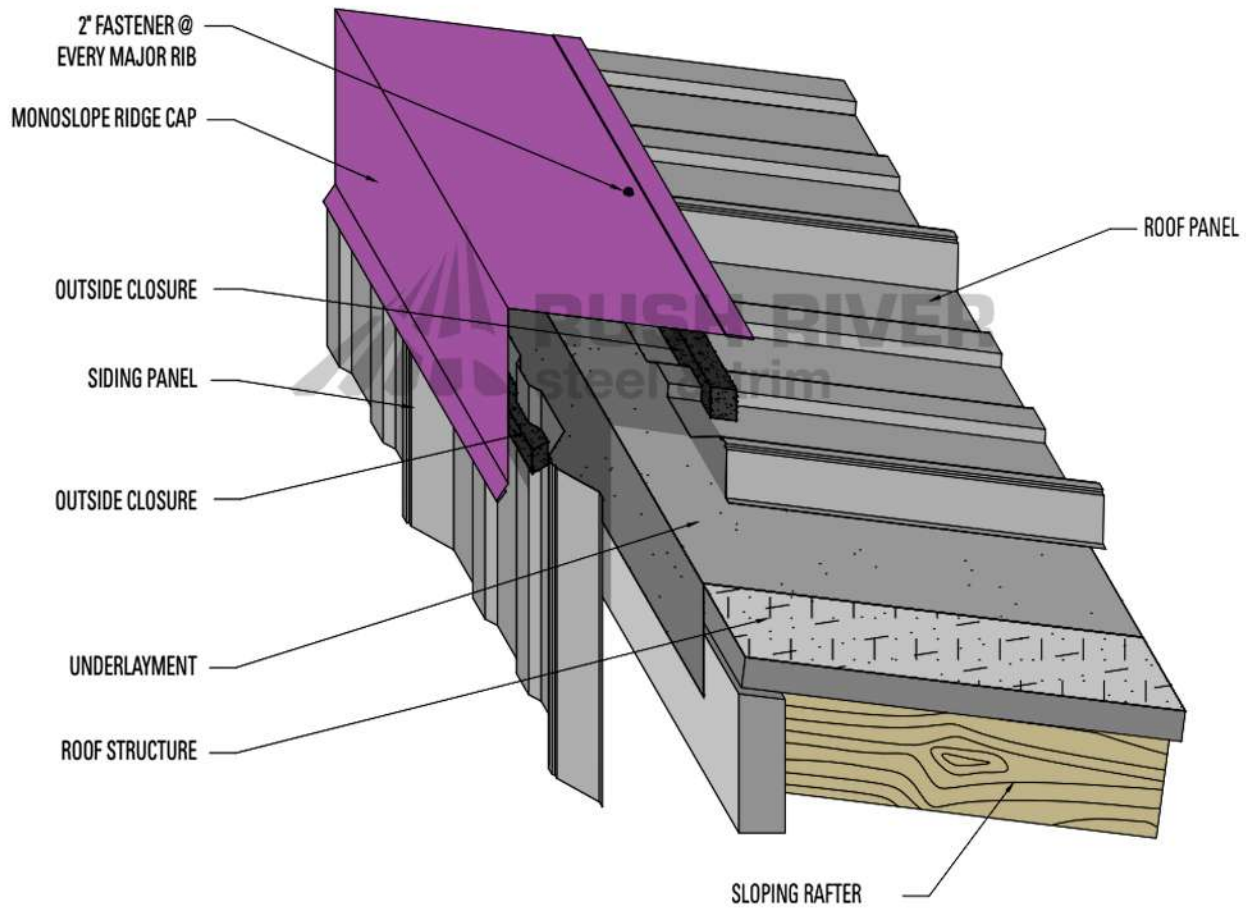
Used to transition two different roof pitches where they meet at the outside



MONOSLOPE RIDGE

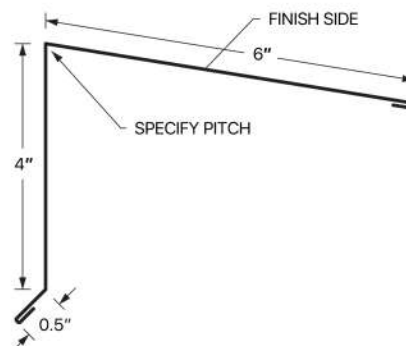
Note: Specify pitch

T



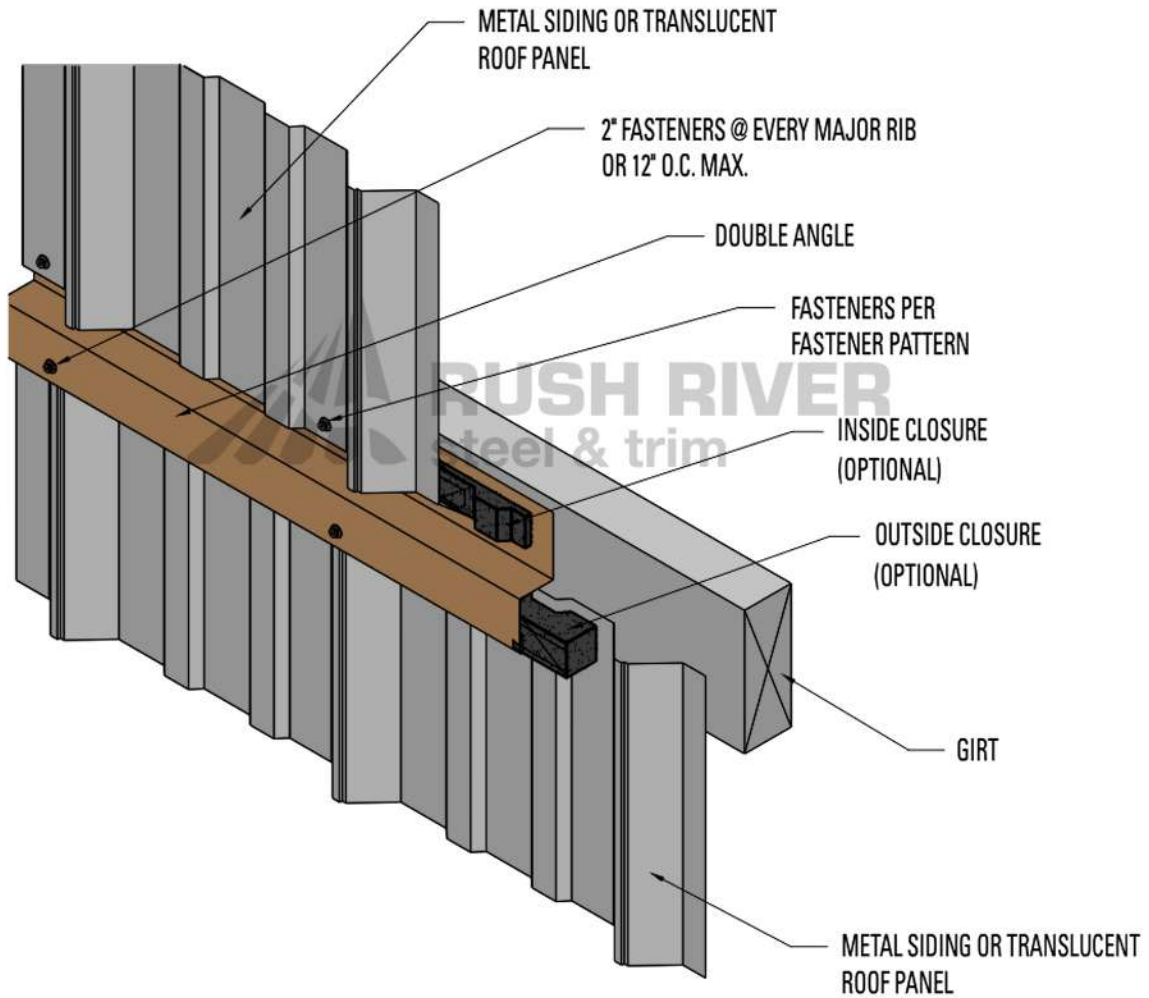
RR18 Monoslope Ridge

Used to create a cover over the top edge or peak of the roof panels

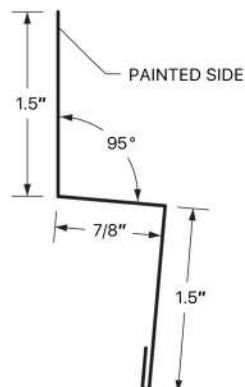


U

DOUBLE ANGLE

**RR8** Double Angle

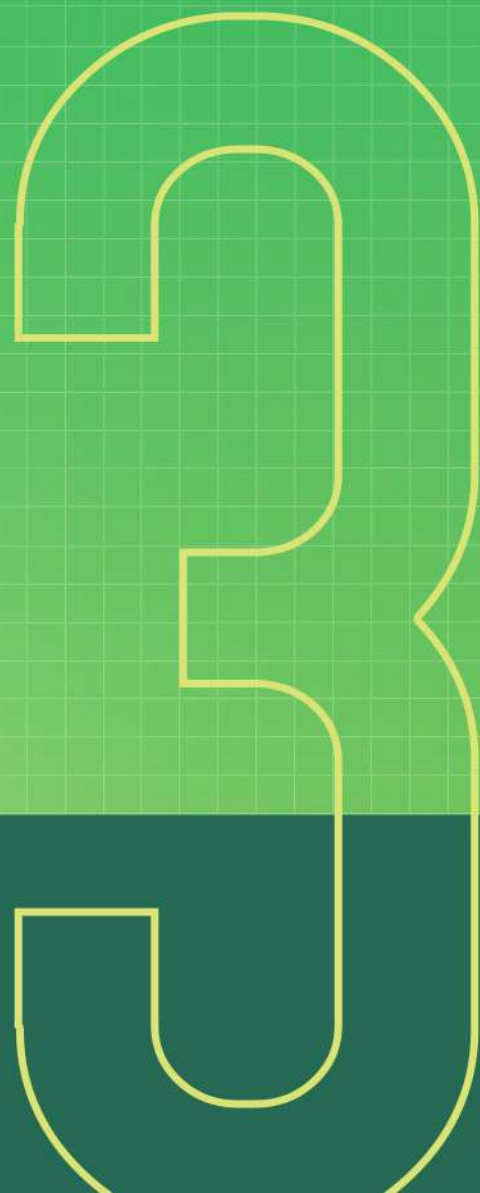
Used to create a break on walls between sidewall panels



SECTION

THREE

Accessories &
Warranty



METAL TO WOOD FASTENERS



Metal to Wood 10x2.5"



Metal to Wood 10x2"



Metal to Wood 10x1.5"



Metal to Wood 10x1"



Metal to Wood 10x2"

Round Top T25 Torx Head



Metal to Wood 10x1.5"

410 Stainless

Note: Also available in 1" | 2" | 2.5". Will magnetize but will not red rust



Metal to Wood 10x1.5"

Round Top T25 Torx Head



Metal to Wood 10x1"

Round Top T25 Torx Head



- In Stock
- Available in various colors
- White only
- Bare

METAL TO METAL FASTENERS

Metal to Metal Liner Screw

10x3/4

Self-Drill with washer



Metal to Metal Liner Screw

10x3/4

Self-Drill without washer



Metal to Metal Zinc Cast Head Stitch/Lap

1/4x7/8

Self-Drill without washer



Metal to Metal Zinc Cast Head Stitch/Lap

12x1.25, 12x2



Metal to Metal Stitch/Lap

1/4x7/8



Metal to Metal

12x1.25"

Self-Drill



Metal to Metal

12x2"

Self-Drill



METAL TO METAL FASTENERS



T25 TORX Driver



Hex Drive Magnetic Socket Driver 1/4



Hex Drive Magnetic Socket Driver 5/6



**Hex Drive Magnetic Socket Driver 5/6
with retainer ring**



Hex Drive Magnetic Socket Driver 3/8



Philips Driver
Available in #1, #2, #3



Square Driver
Available in #1, #2, #3



Rivets

#43 300 series stainless steel
Bags of 250



Description	Pieces/Box	Lb/M
300 Series SS Rivets	10,000	2.9
Rivet Tool	1	2

CONSTRUCTION SCREWS

COMPETITIVE PRICES

Power Pro Premium Exterior Wood Screw

- Ideal for decking and any outdoor wood project
- Self-starting tip offers 20% faster engagement into wood
- 75% less wood splitting than standard wood screws
- 20% faster installation start to finish
- These screws feature a T-20 drive size
- Star Drive technology virtually eliminates cam-out for a smooth effortless drive every time

#10x3" 1/4 KEG 1200CT

#10x3.5" 1/4 KEG 1000CT

#10x4" 1/4 KEG 900CT



Power Pro Star Drive Construction Lag Screw

- Reinforced neck
- Aggressive thread design
- Type 17 cut point
- Truss head and star drive help eliminate cam-out for a smooth, effortless drive every time
- 1,000 hour bronze ceramic coat for superior rust and corrosion protection
- Common applications include decks, stairs, play sets, and many other outdoor wood projects
- No pre-drilling required
- Use in place of standard lag screws

5/16x4" 1/4 KEG BUCKET 400CT

5/16x5" 1/4 KEG BUCKET 300CT

5/16x6" 1/4 KEG BUCKET 300CT

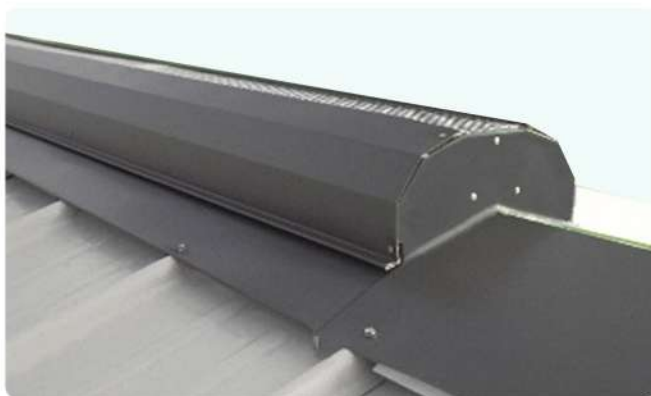
RIDGE VENTS



RV100

Designed for clean environment thus in animal confinement applications should only be used to vent the attic. It provides 15 in² of free area per linear foot (1.04 square feet per vent)

- Exposed edge on nailing flange is hemmed
- 12" overall coverage
- 2 vents/per carton with flashing included
- Over 100 colors available
- The end cap is notched for 4/12 pitch at the factory (adaptable up to 12/12)



RV25

Provides 30 square inches of free area per linear foot (2.1 square foot per vent)

- 3.75 nailing Flange
- All metal edges are hemmed for strength and easier handling
- Individually cartoned with flashings included
- Over 100 colors available
- Designed to exhaust air out of a attic or building
- 10' long low profile ridge ventilator
- Only Rises 3" above Ridge

RV35

Comes with Steel Rain Diverter

RV35F

Comes with Clear Fiberglass rain diverter for extra lighting

Provides 36 square inches of free area per linear foot (2.5 square feet per vent)

- 2" nailing flange
- All metal edges are hemmed for strength and easier handling
- Individually cartoned with flashings included
- Over 100 colors available



RV400/900

Provides 100" of free area per linear foot for both RV400 and 900.

- RV400: 3 inches per square foot
- RV900: 7.5 inches

- RV400: 4ft length | RV900: 10ft length
- 26 Gauge Material in 100 different colors
- 5/16 Plated Steel Damper Rods
- 0.5" galvanized hardware cloth for Bird Screen
- Aluminum Rivet Fasteners
- Available with Damper or without
- 9" throat



CUPOLAS



36" Cupola with louvers



36" Cupola with windows

- Available in 24", 36", 48", and 66" Square
- Pre-painted 29 gauge metal construction
- 100 standard colors available
- All metal edges are hemmed
- Roof & sides interlock for weather tight connection
- Weathervanes optional
- Shipped knocked down, assembled at jobsite
- Assembly instructions included
- High quality construction
- Premium flashing kit available*

*Raises the cupola 3.5" higher above the peak of the roof, giving the sides a fuller look from the ground.

WEATHERVANES

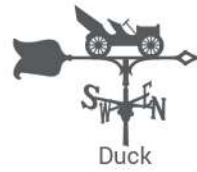
Contact us for more custom weathervanes and availability



Eagle



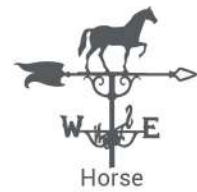
Eagle



Duck



Eagle



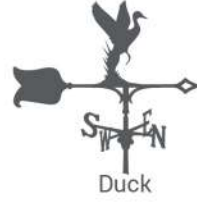
Horse



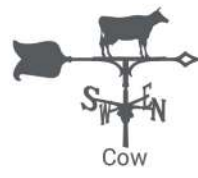
Rooster



Rooster



Duck



Cow



Eagle



Horse



Pig



Running Buck



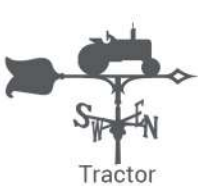
Sailboat



Rooster



Country Doctor



Tractor



Pheasant



Country Doctor



Sailboat

24"

30"

46"

BUBBLE FOIL INSULATION

Single and double bubble insulation both function in the same way. They both utilize the principles of air space and radiant barrier to stop heat transfer from one surface to another. They are also both equally effective at achieving a 100% Class 1 vapor barrier.

Single Bubble Insulation

A cost-effective way to control the heat flow in a building.

Key Benefits

- 1/8" - 3/16" nominal thickness
- 99.9% Pure Aluminum
- Highly Reflective Foil Facing
- Optional UV Resistant Polyethylene Facing On
- One Side With Foil On Opposite Side
- Very Low Rate Of Emissivity
- Durable Polyethylene Bubbles In The Center
- 100% Vapor Barrier
- Good Condensation control especially in animal confinement barns
- Class A/Class 1 Fire Rating
- Barrier for methane, radon, moisture, termites and other pests
- Excellent Thermal Break



FOIL | FOIL



- For use in metal buildings, garages, basements
- 99.9% Pure Aluminum layer on both sides
- 100% Vapor Barrier

FOIL | WHITE



- Provides a clean finished look to any applications
- Foil on one side, white poly on the other
- 100% Vapor barrier

Single Bubble Foil Insulation w/ UV Resistant Facing

Available in Foil | Foil or Foil | White

6' x 125'
(750 sq.ft.)

4' x 125'
(500 sq.ft.)

Double Bubble Insulation

Provides the maximum efficiency and highest R-value for bubble insulation.

Key Benefits

- 1/4" - 5/16" nominal thickness of foil bubble insulation
- 99.9% Pure Aluminum bonded to tear-resistant polyethylene core and bubble wrap insulation
- Highly reflective foil facing
- Optional UV resistant polyethylene facing on one side, foil on opposite side (foil double bubble white poly option)
- White faced Double bubble provides nice finished appearance and brightness for interior.
- Reflective bubble insulation has a very low rate of emissivity
- Durable polyethylene bubbles make up the center bubble wrap insulation
- Acts as 100% vapor barrier
- Class A/Class 1 fire rating
- Foil faced bubble wrap insulation makes an excellent thermal barrier
- Excellent Condensation control, especially in animal confinement barns
- Barrier for methane, radon, moisture, termites and other pests
- Thermal resistance in a 3.5" cavity: R-15.2 (Heat Flow Down), R-8.5 (Horizontal Heat Flow)

FOIL | FOIL



- For use in metal buildings, garages, basements
- 99.9% Pure Aluminum layer on both sides
- 100% Vapor Barrier

FOIL | WHITE



- Provides a clean finished look to any applications
- Foil on one side, white poly on the other
- 100% Vapor barrier

Double Bubble Foil Insulation w/ UV Resistant Facing

Available in Foil | Foil or Foil | White

6' x 125'
(750 sq.ft.)

4' x 125'
(500 sq.ft.)

TOUCH UP PAINT & MARKERS



- ✓ Available in all our standard smooth colors
- ✓ High Quality Paint
- ✓ Great Color Match

NOTE:

Whether you choose touch up markers or spray paint, remember that these paints are not as fade resistant as the original baked-on paint on panels.

Beware of covering large areas as spray paint will fade earlier and touch up spots will not match in a few years.

NOVA FLEX SILICONE
When You Want The Seal to Last

Novaflex® Metal Roof Sealant provides unbeatable adhesion to metal, coated metals, wood, masonry, PVC and most common construction materials.



- Excellent adhesion and flexibility
- Mildew Resistant
- Freeze thaw stable
- Service Temperature -40°F to +400°F
- Application Temperature -20°F to +120°F
- Tack free in 10 minutes
- Completely cured in up to 2 days
- Adheres to: Kynar®
- Meets CARB and OTC Regulations (VOC Compliant)
- Meets or exceeds ASTM C-920-00, TT-S-001543A and TT-S-230C

Recommended For Sealing and Bonding around:

- Wood
- Metal Siding
- Galvanized Steel
- Flashing
- Metal Roof
- Trim
- Galvanized Gutters
- PVC
- Aluminum
- Masonry
- Downspouts



WINDOWS POST FRAME



Single Hung

with insulated glass & screen

- White vinyl single hung
- Durable completely welded construction
- UV Stable white vinyl
- Cast / Zinc Painted window locks
- 3/4" Insulated glass
- Built in J-Channel
- Continuous spacer primary seal
- Deluxe primary balance
- Performed installation flange
- Interior weeping system
- Deluxe wool pile seals
- Tilt-in sash for easy cleaning
- Removable insect screen



Description	Rough Opening	Exact Size
36x48 Vinyl Sing Hung Insulated no Grids	36"x48"	35 ¹ / ₂ "x47 ¹ / ₂ "
36x48 Vinyl Sing Hung Insulated w/ Grids	36"x48"	35 ¹ / ₂ "x47 ¹ / ₂ "



Horizontal Slider

with insulated glass & screen

- White vinyl horizontal slider
- Durable completely welded construction
- UV Stable white vinyl
- Cast / Zinc Painted window locks
- 1/2" Insulated glass
- Continuous spacer primary seal
- Optional J-Channel
- Interior weeping system
- Deluxe wool pile seals
- Removable insect screen

Description	Rough Opening	Exact Size
36x24 Vinyl Utility Slider Insulated no J-Trim	36"x24"	35 ¹ / ₂ "x23 ¹ / ₂ "
36x24 Vinyl Utility Slider Insulated w/ J-Trim	36"x24"	35 ¹ / ₂ "x23 ¹ / ₂ "
36x36 Vinyl Utility Slider Insulated no J-Trim	36"x36"	35 ¹ / ₂ "x35 ¹ / ₂ "
36x36 Vinyl Utility Slider Insulated w/ J-Trim	36"x36"	35 ¹ / ₂ "x35 ¹ / ₂ "
48x36 Vinyl Utility Slider Insulated no J-Trim	48"x36"	47 ¹ / ₂ "x35 ¹ / ₂ "
48x36 Vinyl Utility Slider Insulated w/ J-Trim	48"x36"	47 ¹ / ₂ "x35 ¹ / ₂ "
48x48 Vinyl Utility Slider Insulated no J-Trim	48"x48"	47 ¹ / ₂ "x47 ¹ / ₂ "
48x48 Vinyl Utility Slider Insulated w/ J-Trim	48"x48"	47 ¹ / ₂ "x47 ¹ / ₂ "

ⓘ Windows are not stocked and have a two week lead-time.



Cast Zinc Window locks



Welded Construction



Removable Insect Screen

Series 99



Series 95



Series 20



	Series 99	Series 95	Series 20
Low Maintenance	•	•	•
Economy	•	•	
Heavy Duty Commercial Grade			•
Fully Insulated Jamb		Optional	Optional
Easy Installation	•	•	•
Energy Saving	•	•	•
R-13 Insulation in Door	•	•	•
Rolled Edge Construction	•	•	•
Durable and Attractive	•	•	•
4-Way Universal	•	•	Optional
Two Fin and Bulb	•	•	•
Single Piece 16 Gauge Jamb		•	•
Door Skin Thickness	27 Gauge	26 Gauge	16 Gauge
Color Options	Polar White	Polar White	Bronze, Taupe, Polar White, Chocolate Brown
Other Features	<ul style="list-style-type: none"> • Full Perimeter Weather Stripping • Smooth 27 gauge galvanized steel 	<ul style="list-style-type: none"> • Single piece 16 gauge Jamb • Smooth 26 gauge galvanized steel 	<ul style="list-style-type: none"> • Thresholds: Inswing, Universal, ADA and Outswing • Fully Reversible (3 1/2" thick Jamb) • Galvanized Steel (16 gauge Jamb and Panel) • Double Contact Weather Stripping • Bulb and 3-fin top and bottom weather seals contact header and threshold to greatly reduce water infiltration • Jamb tooled for hinge and strike mortise • Jamb mounting holes counter sunk for smooth surface installation • Composite lock block and deadbolt prep are standard • Lock strike plate is adjustable • Passes all ISDI ANSI code tests
Size in Stock	Blank 3'x6'8" Blank 2'8"x6'8" Blank 2'4"x6'8" Blank 4'x6'8"	3'x6'8"	3'x6'8"

More custom sizes available: allow three weeks lead time

! All in-stock door orders have a (1) week lead time

DOORS



Standard Stainless Steel Door

Features

- 100% 304 Stainless Steel
- 4-way universal swing
- 1¾" thick door with 20GA skins
- 3½", 16GA stainless steel jambs (2" x 4" walls)
- Full perimeter weather-stripping
- Standard or custom sizes available
- Stainless steel lockset insert reinforces 12 GA stainless steel plates
- Four-way stainless steel hinges with bearings reinforced with 12 GA stainless steel plates
- Fully-insulated 2-part polyurethane closed cell material injected in door to repel moisture, mold and bacteria from spreading
- Prepped for lock set by boring 2½" diameter hole with a 2¾" backset and 1" bore



Tempered Glass Window

Options

- Available in 16"x16" 1 lite, consist of 2 pieces of ⅝" tempered glass with ½" dead air space
- Available in 22"x30" 1 lite, consist of 2 pieces of ⅝" tempered glass with ½" dead air space
- Dead bolt lockset
- 5½", 16 GA stainless steel jambs (2"x6" walls)
- Custom assemblies available in wide range of size, configuration and jamb depths
- Customizable for your latch preference

Four Stainless Steel Hinges



Weather-stripping



Midland's quality-constructed overhead doors provide exceptional R-Value and are the top choice for both new construction and replacements. All of the components are heavy duty and built to last, for durable, professional-looking doors you can rely on for decades.

Commercial 2"



Commercial 3"



Pick your Insulation	ThermoGuard	EnergySaver	ThermoGuard	EnergySaver
Foam/Insulate	Polyurethane	Polyurethane	Polyurethane	Polyurethane
R-Value	18	9.25	26	17.05
Thickness	2"	2"	3"	3"
Maximum Width	32' 2"	24' 2"	40' 2"	40' 2"
Exterior Steel	27 gauge*	25 gauge*	27 gauge*	25 gauge*
Interior Steel	27 gauge	25 gauge	27 gauge	25 gauge
Warranty	10 years	10 years	10 years	10 years

Choose your color

Due to printing processes, colors may not be accurate representation of the final product. Please contact us for authentic color swatches.



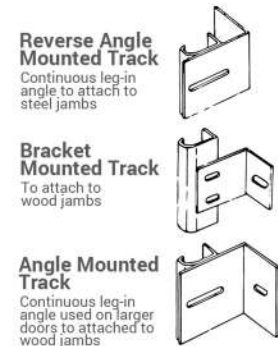
* Optional 20-gauge upgrade available in white only
 ** EnergySaver is Commercial White, ThermoGuard is White
 *** Beige not available in ThermoGuard
 **** Available only on Commercial 3"

ⓘ Two week lead-time required on all overhead doors

Add Windows



Track Mounting Details



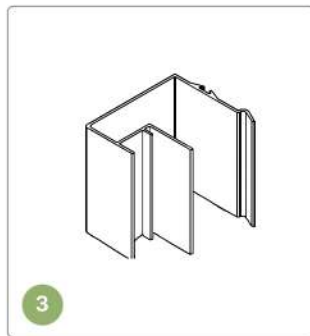
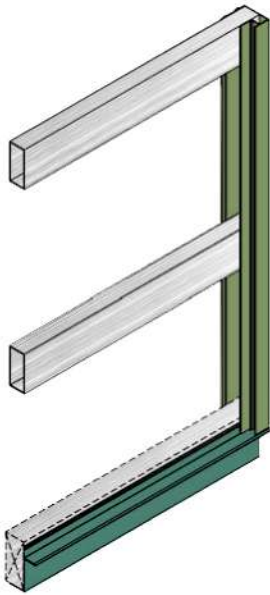
Please visit www.MidlandGarageDoors.com for many more design options and colors for Residential and Commercial Overhead doors.

SLIDING DOOR

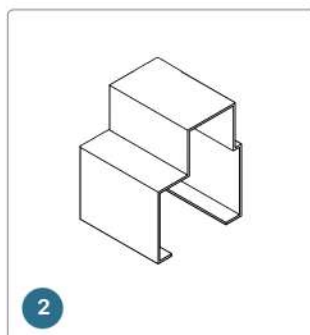
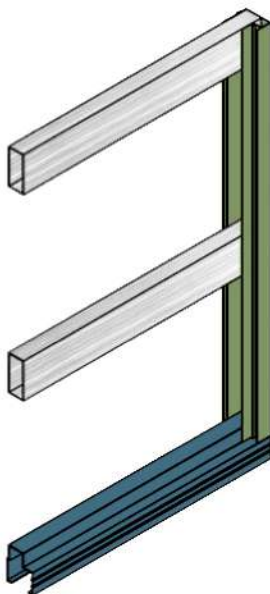
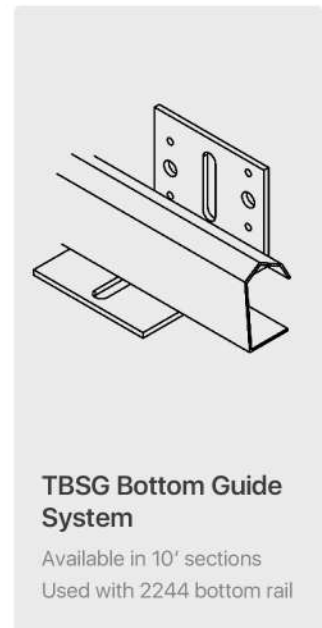
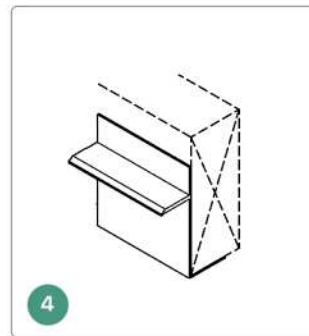
2200 Series 1.5" System



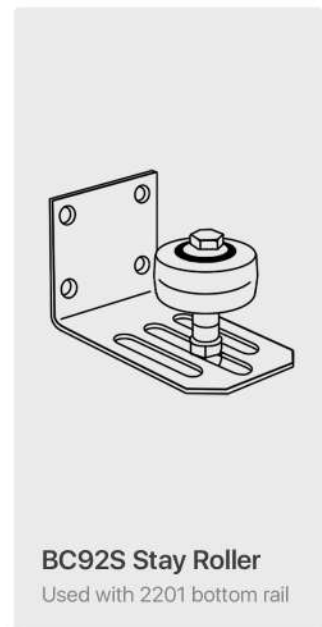
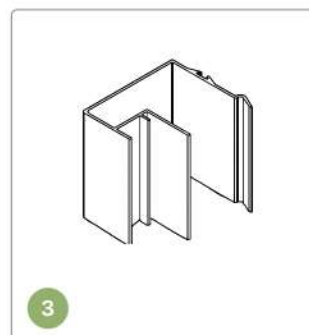
Available Stocked Lengths 10' | 12' | 14' | 16' | 18' | 20'



2200 Series Rail
With 2201 Bottom Rail
Shown with steel box grit



2200 Series Rail
With 2201 Bottom Rail
Shown with steel box grit



- ! - We only Stock the 1.5 2200 Door System. 1600 and 3300 Door system available with 2-week lead time.
- All stocked Railing comes in white and the 27 optional custom colors have a 3 week lead time.



SQUARE TRACK + ACCESSORIES



BC313
Galvanized Square Track Rail
 As shown in Section 2, pp. ?????



R22T9
Square Track Trolleys with 9" Bolt
 For use on wood/metal doors up to 450lb

ROUND TRACK + ACCESSORIES



BC201
Galvanized Round Versa Track Rail
 Both Square and Round track lengths are stocked in 10', 12', 14', 16', 18' and 20'




PB25T9
Round Track Trolley w/ 9" Bolt
 For use on wood/metal doors up to 600lbs. Keep the trolleys together with their correct rails



BC1SP-201
Splice Collar
 For use of connecting two section of round track



PB201ECS
End Cap
 For round track packaged in pairs with fastening hardware



BC1-201 **BC3-201** **L2-201**
Face Mount Track Bracket
 This accessory needs cover. Indicate color choice and length when ordering



BC4-201 **BC-201**
Top Mount Track Bracket
 This accessory needs cover. Indicate color choice and length when ordering

SLIDING DOOR ACCESSORIES



PB121

Universal Jamb Latch 7" Hook

Cam action jamb latch used to hold the door against the jamb



PB124S

Door & Gate Latch

Sturdy door and gate latch that can be padlocked



PB126S

Stall & Gate Latch

Sturdy sliding stall or gate latch. Primarily used on horse stalls



PB127S

Center Chain Snugger

Used to secure wood or metal split doors



PB128

Center Latch

Cam action center latch used to secure split wood or metal doors



R205S

Cane Bolt Heavy Duty 5/8x24" Construction

Holds bottom of door in place in a fixed position when lowered



BC75

Center Door Guide/Stop

Center door guide with welded stops. Mounts over a 6x6 post. For use with 2244 bottom rails.



PB97S

Stay Roll

Used to hold a sliding door against the wall. Adjustable for 1.75" to 3.75" doors. 2" diameter wheel. Also fits the 2244 Bottom Rail



BC93S

Stall Roll

Stay roller with cement anchor 2.5" diameter wheel



BC65S

Door Stop

Door stop with stiffener ribs for added strength. For doors up to 2.25"



PB66

Adjustable Door Stop

Heavy duty adjustable stop for doors up to 4.25"



BC68

Bar Holder

Used to reinforce doorways against forced entry by providing secure placement of 2x4 lumber against entry side of building.



Door Pull/Handle

Galvanized or white



BC85

Door Guide Top Mounted

Heavy Duty center door guide for single or split doors. Ramp Design for driving over without damaging tires. Can be mounted on a concrete floor or on top of 6x6 post. T-stop fastens to guide for split sliding doors.



PB63

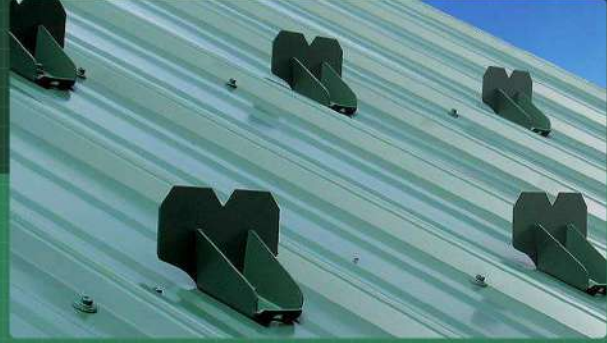
Jamb Mount Stop

1.75" jamb mount stop; engages the door in both the open and closed positions



4500

For exposed fastener panels:
on 2x4 purlins in the flat position
(Not for use with standing seam roofing)



1500

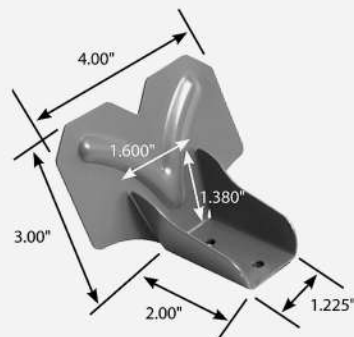
For exposed fastener panels:
on 2x4 purlins in the upright or flat position
(Not for use with standing seam roofing)



EPDM rubber sealer

- 16 gauge type 304 stainless steel
- EPDM rubber sealer
- Powder coated or mill finish
- No caulk needed
- Patented
- Made in USA

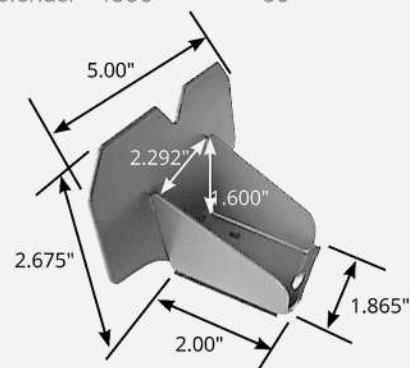
Description	Pieces/Box
Snow Defender™ 4500	50



EPDM rubber sealer

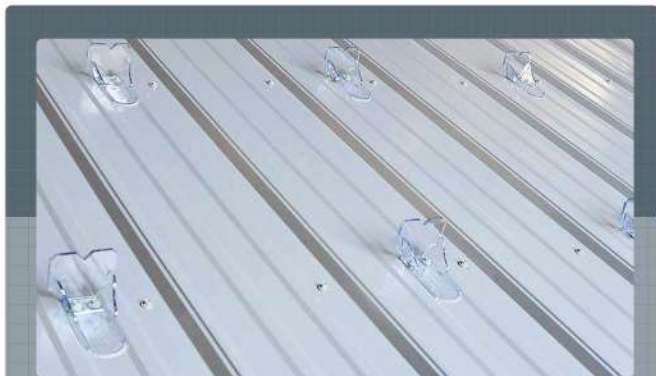
- 16 gauge type 304 stainless steel
- EPDM rubber sealer
- Powder coated or mill finish
- No caulk needed
- Patented
- Made in USA

Description	Pieces/Box
Snow Defender™ 1500	50





How many snow guards do you need?
We have a calculator just for you at
www.SnowDefenderCalculator.com



PC240

For exposed fastener panels:
on 2x4 purlins in the flat position
(Not for use with standing seam roofing)



BUSTER

For exposed fastener panels:
on 2x4 purlins in the upright or flat position
(Not for use with standing seam roofing)



- Polycarbonate Lexan 103-112
- UV stable
- Very strong
- Mount with screws or adhesive
- Patented
- Made in USA

SB 190
Adhesive

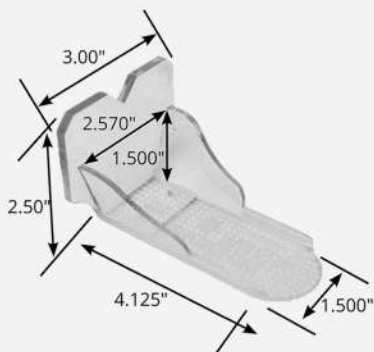


- Polycarbonate Lexan 103-112
(3/16" thick!)
- UV stable
- Heavy duty
- Mount with screws or adhesive
- Patented
- Made in USA

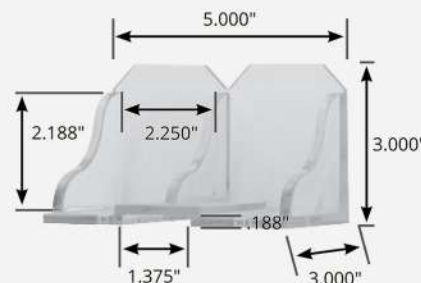
SB 190
Adhesive



Part No.:	Description	Pieces/Box
PC240	Snow Defender™ PC240	50



Part No.:	Description	Pieces/Box
SDBUS	Snow Defender™ Buster	50



UNI-VENT PRO SERIES

- Easy to install; 20' per roll
- Use any manufacturers Ridge Cap
- Withstands 100mph wind-driven rain
- Use on any roof pitch from 2/12 to 20/12
- Material is 2" wide with standard thickness of 1"
- Standard 9" OC Profile matches the roofing profile
- Same great performance as Uni-Vent II

Physical Properties

- UV Stabilized/Fire Retardant
- Continuous Double Glue Strip
- Pure Polyurethane Foam
- Vinyl Coating



ProfileVent

THE RIDGE VENT CUT TO FIT

Preferred by contractors!



Features

- 40 year limited warranty
- Glue spots prevent slipping during installation
- Fits under any ridge cap
- Fits any pitch 2:12-20:12
- One person roll-out installation
- Won't crack, dent or rust during shipping or installation
- Designed for use on roof pitches from 2:12 to 20:12
- Won't scratch panel finish

- Won't clog from airborne dust
- Prevents insect infiltration
- Prevents snow infiltration
- Provides proven roof ventilation
- Meets all model building codes
- Almost invisible from the curb
- No waste - use leftovers on next job
- Will not support a flame
- Made in US
- Made from over 90% recycled fiber; over 30% post-consumer content

Profiles: Tuff-Rib and PBR Panel

3"x50'

3"x100'

Available but not stocked

PANEL ACCESSORIES

Expanding Foam Sealant



- UV stable
- Will not dry out or become hard & brittle
- Self-adhering
- Highly resistant to bugs and vermin
- Conforms to contours and fills gaps
- Good thermal and sound insulator

Height	Width	Length	Pc/Bx
1"	1"	19.68'/roll	26
1-1/2"	1"	13.12'/roll	24

Butyl Tape



- Greater cohesive strength
- Superior adhesive strength
- Withstands extreme roof temperature
- Cold flow resistant

Description	Rolls/Cs
3/8" x 3/32" x 45'	48
3/4" x 3/32" x 50'	14

Closure Strips

- Available with or without adhesive
- 1.5 lb. - 2 lb. density
- Cross-linked polyethylene



Description	Length	Width	Pc/Bx
3/4" Tuff-Rib Outer / Inner	36"	1"	100
PBR Outer / Inner	36"	1"	100
Apex X4 Outer / Inner	36"	1"	100
Summit Outer / Inner	36"	1"	100



SYNTHETIC UNDERLAYMENT

ROOFAQUAGUARD
High Performance Building Products

ROOFAQUAGUARD UDLX

RoofAquaGuard UDLX has years of engineering to create a strong synthetic underlayment able to withstand exposure before the roof is installed and able to be a performance-enhancing part of any roof system including shingles, metal, slate, and composite products.

Installers love its extreme low weight while the 60" product width speeds installation and minimizes horizontal laps on the jobsite. UDLX is mechanically fastened with plastic cap nails 12" on center both horizontally and vertically. The slip-resistant top surface serves as a slip sheet beneath metal roofing panels and is perfect for installations in extreme temperatures, both high and low.



- Premium, extra-thick synthetic underlayment for use under metal and other roofing materials.
- Proprietary, anti-slip top surface is favored by roof installers in all climates.
- Wide 60" rolls have ten squares of material for fast installation with a weight of 40 pounds.
- Limited 35 year Warranty

Specifications

Roll Dimensions	60"x200"
Roll Weight	40 lbs
Roll Size	1,000 sqft
Packaging	36 Rolls/Pallet 27 Pallets/Truckload



UDLX
Texture Sample



- Cone design seals securely
- Long lasting performance
- 20 year DEKS warranty
- Superior high and low temperature resistance
- Clearly marked cutting grooves
- Round or Square
- Lots of color choices
- Contractor Friendly

PIPE FLASHING

Round

Description	In Stock
1/4" - 2-1/2"	
1-3/4" - 3-1/4"	
1/4" - 5"	•
3" - 6-1/4"	
4-1/4" - 7-1/2"	•
5" - 9"	
6" - 11"	
7" - 13"	
10" - 19"	•



Red Silicone
Hi-Temp



EPDM Black



EPDM Gray



Gray Silicone
Hi-Temp

	EPDM 500	Silicone
High Temperature Resistance		
Intermittent	+135°C (+275°F)	+260°C (+500°F)
Continuous	+100°C (+212°F)	+125°C (+437°F)
Low Temperature Resistance	-55°C (-65°F)	-74°C (-100°F)
Tensile Set Max	100MPa (1450 psi)	5MPa (700 psi)
Compression Set Max	25%	50%

Additional Colors Available in #3, #5 and #8 Round

Round Base Retrofit

No.	Description	Pcs/Bx	Lb/Bx
#1	3/4" - 2-3/4"	10	3
#2	2" - 7-1/4"	5	5
#3	3-1/4" - 10"	5	10



Dark Blue



White



Light Blue



Bright Red



Brown



Terra Cotta



Dark Green



Light Green

Square

No.	Description	In Stock
#1	1/4" - 2-1/2"	
#2	1-3/4" - 3-1/4"	
#3	1/4" - 5"	•
#4	3" - 6-1/4"	
#5	4-1/4" - 7-1/2"	•
#6	5" - 9"	
#7	6" - 11"	
#8	7" - 13"	
#9	10" - 19"	•



Red Silicone Hi-Temp



EPDM Black



EPDM Gray

Square Combo Retrofit

No.	Description	Pcs/Bx	Lb/Bx
#3	1/4" - 5"	15	11
#6	5" - 9"	10	16
#9	9-1/2" - 20"	5	34
#10	16" - 29-1/2"*	1	17



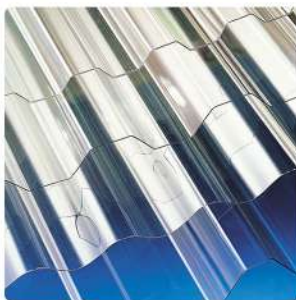
Square Base Extreme Angle

No.	Description	Pcs/Bx	Lb/Bx
#1	1/4" - 5-3/4"*	10	11



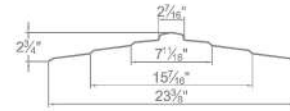
* Available in Black only

CORRUGATED POLYCARBONATE SHEET

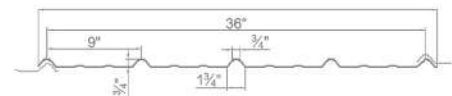


Standard Profiles

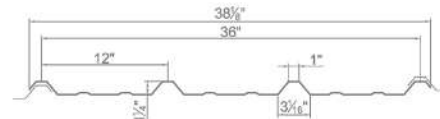
Clear Polycarbonate Ridgecap



Tuff-Rib Polycarbonate



PBR Polycarbonate



10 YEAR Light Transmission Warranty

3 YEAR Weather Breakage Warranty

Marlon CS Clear Polycarbonate	Soft White Polycarbonate	Marlon CS White (Opal)	Solar Gray Polycarbonate	PVC Liner Panel
8'	8'	8'	8'	12'
10'	10'	10'	10'	16'
12' (In stock)	12'	12'	12'	20'
14'	14'	16'	14'	
16'	16'		16'	
20'	20'			

Available lengths in PBR Profile

12' (In stock)	Not Available	12'	Not Available	Not Available
----------------	---------------	-----	---------------	---------------

Available lengths in Polycarbonate Ridge Cap

10' 6" (In stock)	10' 6"	10' 6"	Not Available	Not Available
-------------------	--------	--------	---------------	---------------

Fasteners used to mount Polycarbonate Panels

Leland One-Stepper Hex Head

This Self-Tapping Stainless Steel Flanged Screw is ideal when a larger hole is needed for metal expansion purposes. When drilling in the self tapping screw, the flange creates a slightly larger hole to leave room for expanding and contracting material.



Available in: #12x1.25" | #12x2"

Dekfast Washers

- Recommended for use with Polycarbonate Skylight Panels/ Side light panels
- Use with most #12 screws metal to wood or metal to metal
- For use with or without existing washer
- Corrosion resistant



Description	Diameter
Poly Washer, Gray	19

MISCELLANEOUS HARDWARE



SWENSON SHEAR
EST. 0518

Swenson Shear

- Shear straight at 90 degrees
- Shear down to 24 gauge
- Replaceable blade inserts
- Powder coated, weather and rust resistant frame

Description	Lb/Each
R Panel Shear -36" Coverage Panel, 12" OC, 1-1/4" Rib Height	125
R Panel Extra Blade Set	
Ag Panel Shear - 36" Coverage Panel, 9" OC, 3/4" Rib Height	125
AG Panel Extra Blade Set	




Milwaukee

Milwaukee Cordless Single Cut Sheer

- 360° Tool-Free Rotating Head
- Ergonomic Body Design
- Variable Speed Trigger
- Belt Clip
- 18V Lithium-ion
- 20 gauge stainless steel cutting capacity
- Comes with charger
- 3" minimum cut diameter
- 18 gauge steel cutting capacity
- 5 yr warranty




Malco
Work. Perform. Outlast.

Malco TSHD Metal-Cutting Shear

- 360° Tool-Free Rotating Head
- Ergonomic Body Design
- Variable Speed Trigger
- Belt Clip
- Use your existing drill



Miscellaneous Hardware

Visit our main office for more miscellaneous hardware like:

- Tie Down Straps
- Many different metal shears
- Gloves
- Tape measures
- Cordless Drills
- Caulking guns and more

INSTALLATION INSTRUCTIONS

Building Design and Construction

In order to ensure the anticipated performance and longevity, protect metal panels from potentially corrosive situations and materials. When treated lumber will be in direct contact with metal panels or flashings please note the following: Galvanized steel is compatible with the CCA (Chromated Copper Arsenate) pressure-treated lumber that was predominantly used before 2004, but not with the older Penta treated lumber or the new ACQ (Alkaline Copper Quaternary), CA (Copper Azole), or CBA (Copper Boron Azole). Stainless steel or other special treated fasteners should be used into these non-compatible pressure treated lumbers. Aluminum must be separated from contact with all treated wood since the soluble copper in the preservative is corrosive to aluminum. Likewise, dissimilar metals also require a protective barrier between them to prevent galvanic corrosion.

PLASTIC, BUILDERS' FELT, BITUMINOUS PAINT, CAULKING, OR GASKET MATERIAL MAY BE USED TO SEPARATE PANELS FROM TREATED WOOD AND DISSIMILAR METALS.

When using aluminum panels in direct contact with steel, use a separator as described above and fasten with Stainless Steel screws. Fertilizer, lime, acids, feeds, manure, soils, and many other compounds also cause corrosion in metal panels. Contact between metal panels and any potentially corrosive materials should be prevented. Porous insulation materials may absorb and retain moisture, and should not be used in direct contact with metal panels. Use a vapor barrier such as polyethylene plastic or 30lb felt to prevent moisture from contacting both the insulation and the metal panel.

Purlins, Girts and Roof Deck

The substructure to which the metal panels are fastened must be properly spaced and sufficiently thick to provide a roof or wall system able to meet required design loads.

A 2" nominal lumber thickness or 1" nominal thickness are both acceptable purlins. If snow guards are to be installed in the future, a 2 x 8 purlin can be installed in the area for snow guard installation. Call engineering for locations of 2 x 8 purlins. When using purlins, RUSH RIVER STEEL recommends a maximum spacing of 24" on-center. Pullout values decrease if the fasteners protrude completely through the purlins. Kiln-dried softwood is recommended for purlins or decking (pine, fir, hemlock, and spruce). Hardwoods are difficult to fasten into without splitting and contain tannic acids that are corrosive to metal panels. Green (non-kiln-dried) lumber may warp, twist, and shrink as the wood seasons fully, causing waviness in the panels as well as loosening and leaking of the fasteners.

Solid decking is highly recommended for all residential applications. When using solid decking or sheathing, always use 30-lb felt or underlayment and plan on using closer fastener spacing. On re-roofing projects where the condition of the old decking is in question, or where existing shingles will be left in place, new 2x4 or 1x4 purlins should be fastened through the decking and into the rafters. This will provide a solid framework for attaching the metal panels.

Roofing

Panel side laps should face away from wind driven rain. To accomplish this, begin by installing the first sheet square with the eave and gable at the downwind end of the roof, farthest away from the source of prevailing winds or away from the primary viewing location. For best results, lap panels as shown and install in the indicated sequence at the bottom of this document.

ALL ENDLAPS REQUIRE SEALANT. WHEN WEATHER-TIGHTNESS IS CRITICAL, USE SEALANT TAPE IN ALL SIDELAPS.

To provide a drip edge, allow an overhang of 1 to 2 inches at the eave. At the gable edge, use a gable or sidewall flashing. This will keep weather out, prevent lifting in high winds, and provide a neat, finished appearance. The trim and roofing sheet should be fastened every 12 to 24 inches along the gable edge. Do not step on panel ribs or on trim pieces to prevent kinking.

Roof Pitch

The metal roofing panels shown in this manual require a minimum slope of 2½" per foot to ensure proper drainage. Refer to the rain-carrying table in this booklet for the maximum allowable panel length per slope that will provide adequate drainage.

Bending and Bowing

Aluminum and Steel roofing and siding sheets are roll formed from hardened, tempered metal for maximum strength. If a sheet must be bent, a gentle 90-degree bend is the maximum recommended. Metal should not be re-bent once it has been formed, nor should it be folded back on itself. When a metal roofing sheet must be installed on a curved roof, screws should be installed at every overlapping rib at the sheet ends to resist the natural tendency of the metal to spring back. The standard fastening pattern is permitted over the rest of the sheet.

Siding

Siding should be installed using the standard fastening and overlap patterns to ensure optimum performance. For strong, neat corners use hemmed corner flashings.

DO NOT RUN SIDING SHEETS ALL THE WAY TO THE GROUND. INSTEAD, PROVIDE A PROTECTIVE BASE OF CONCRETE, MASONRY, TREATED WOOD, OR SIMILAR MATERIAL AND TERMINATE THE SIDING SHEETS 6" ABOVE GRADE.

If siding sheets are installed horizontally, use sealant tape or butyl caulking at the vertical laps to ensure weather-tight joints. Install panels from the bottom up so that water is directed away from, and not into, the lap joints.

Fastening

RUSH RIVER STEEL can supply screws for fastening into dimension lumber. Always use screws with solid sheathing. Screws for use with steel panels are galvanized and then coated with an organic polymer for optimum corrosion resistance.

For Best results with aluminum panels, use #300 series stainless steel.



Wood screws with combination metal and neoprene washers should be installed in the flat area of the panel adjacent to the ribs, and tightened such that the washer is compressed as illustrated above. This will ensure a lasting, leak-proof seal.

REMOVE ANY METAL FILINGS CREATED BY THE DRILLING ACTION OF THE SCREWS OR PREDRILLING OF THE HOLES TO AVOID RUST STAINING ON THE PANEL SURFACE.

Panels adhered with Drip-Stop Felt Material

FULL LENGTH PANELS FROM EAVE TO RIDGE ARE RECOMMENDED, EAVE OVERHANGS, VALLEYS AND ANY OTHER EDGES EXPOSED TO THE WEATHER SHOULD BE SINGED WITH A HEAT GUN TO SEAL MICROFIBERS FROM ABSORBING MOISTURE FROM THE OUTSIDE. WET STACK STORAGE STILL APPLIES TO PANELS WITH DRIP-STOP APPLIED. PLEASE STORE PROPERLY BY COVERING AND TILTING ONE END. IT'S ALWAYS BEST IF THEY CAN BE STORED INSIDE IF NOT BEING IMMEDIATELY INSTALLED.

Flashing and Trim

Always begin flashing installation from the bottom and work up, so that upper flashings are lapped on top of lower flashings. This will prevent moisture from leaking under the flashings and into the structure. End lap flashings a minimum of 6" and seal the lap joints with sealant. Extend flashings 4-6" beyond the building, cut along the bend lines, apply sealant, and fold the side flaps in and the top flaps down to cap off the ends.

Secure with pop-rivets or stitch screws. Some roof conditions, such as valleys, may require a longer end lap and/or a larger flashing to properly drain moisture from the roof. Factors that influence flashing size, shape, and end lap requirements include roof pitch, roof geometry, slope length, and climatic factors (such as heavy snowfall or rainfall).

Whenever possible, begin trim installation at the downwind end of the roof, farthest away from the source of prevailing winds, to allow flashing laps to face away from wind-driven rain. If you need a special trim, please furnish a drawing of the desired shape, including dimensions and angles, to your Rush River Steel Location to obtain pricing and availability.

Safety

Always work safely when installing metal products and use extreme caution on the roof at all times. Wear gloves and safety glasses to reduce the risk of injury, and use hearing protection when operating power tools.

Always be sure that ladders are safely positioned and properly secured.

Safety harnesses or other special equipment may be required; be sure to Consult OSHA Guidelines for compliance with all safety requirements. Do not walk on panels until all the fasteners are installed.

Metal roofing panels are slippery when wet, dusty, frosty, or oily -- Do not attempt to walk on a metal roof under these conditions. Wear soft-soled shoes to improve traction and to minimize damage to the paint finish.

Always be aware of your position on the roof relative to any roof openings, roof edges, coworkers, and penetrations. Installing metal panels or flashings on a windy day can be dangerous and should be avoided if possible.

Cutting Aluminum Panels

To make a cut parallel to the ribs, score the panel deeply with a sharp utility knife and bend back-and-forth along the score, breaking the metal off cleanly. For cuts across the ribs use straight-cut snips, electric or pneumatic shears, a portable profile shear, or an electric nibbler. Some installers prefer using a circular saw with a metal cutting blade (a finetooth hardwood blade or a standard combination blade reversed in the saw works also). Light oil or soap on the blade will make cutting easier.

Cutting and Drilling Steel Panels

Steel panels may be cut with metal snips, electric or pneumatic shears, a portable profile shear, or an electric nibbler. Some installers prefer using a circular saw to cut metal panels. Do not use self-consuming abrasive blades because of the following:

1. Abrasive blades burn the paint and galvanizing at the cut edge, leaving edges that are jagged and unsightly and rust more quickly.
2. Abrasive blades produce hot metal filings that embed in the paint and cause rust marks on the face of the panel. If saw cutting cannot be avoided, select a carbide-tipped blade especially designed for cutting light-gauge ferrous metal panels. These blades are now available at many home centers and lumber yards.
1. All saw cut panels must be turned face down and cut in a location down-wind and well away from the building and other panels to avoid embedment of metal filings on other panels.
2. All saw cut panels must be thoroughly wiped to ensure the removal of all metal filings. Pre-drilling wall panels gives uniform alignment of screw rows.

BE SURE TO REMOVE ANY FILINGS ONCE PANELS ARE INSTALLED TO AVOID RUST MARKS FROM THE FILINGS.

Building Maintenance

A metal roof should be inspected annually and cleaned as necessary to maintain its beauty and performance. Any debris or residue, including leaves, twigs, and dust should be cleaned off promptly to prevent moisture entrapment against the metal, which may lead to finish deterioration or premature corrosion. Flashings may need to be re-sealed periodically in order to maintain optimum weather tightness.

Proper Storage

Store metal panels indoors when possible; if outdoors, cover and elevate at least a foot for adequate ventilation. Elevate one side higher for water drainage. Never cover in plastic; use a tarp that can breathe. Allow for air circulation. If a bundle gets wet, break bands and separate sheets; allow sheets to dry completely and only restack if completely dry.

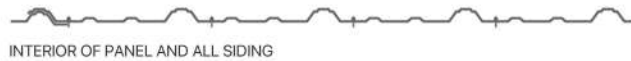
Spray Foam Insulation

When insulating metal with spray foam insulation, the first application layer should be getting the insulation behind all framing members.

When completing the insulation, ensure the spray foam is installed in 2" thick layers (maximum) until desired thickness is achieved.

FASTENER LOCATION

Tuff-Rib Panel



Apex Panel



PBR Panel



Summit Panel



TERMS OF SALE

By conducting business with, and placing orders with Rush River Steel & Trim, you agree to the Terms of Sale.

Price

Prices are subject to adjustment by Seller in order to conform to Seller's prices in effect at date of shipment. Prices specified do not include any taxes (excise, privilege, occupation, sales, use, or other taxes payable on account), and all such taxes now in effect and/or hereafter levied which are applicable are in addition to such price and shall be paid by the Purchaser.

Terms of Payment

Cash prior to credit approval by Seller's Credit Department all orders are payable in U.S. funds at the office of the Seller in Henderson, Minnesota, prior to manufacturing of products or shipping, unless a credit account has been established.

Payments on established credit accounts by the Purchaser may, at the Seller's option, be applied on the oldest unpaid items open on the account in order of original date.

Purchaser's financial responsibility is at all times subject to approval of Seller's Credit Department. All payments shall be due at par in Henderson, Minnesota in accordance with terms stated on the face of the invoice.

A late charge will be assessed on delinquent balances. In the event collection of any unpaid balance is placed in the hands of attorneys, Purchaser shall pay reasonable attorney fees and costs of collection. If at any time, the financial responsibilities of the Purchaser is impaired, the Seller shall have the right to cancel orders, discontinue shipments, require payments in advance and/or require other satisfactory security to guarantee that invoices will be paid promptly when due.

Customers Orders

Telephone Orders, Purchaser assumes responsibility of the accuracy of orders placed by telephone unless a written confirmation is received prior to fabrication. When urgencies require verbal orders, your confirming order should be marked "Confirming Order - Do not Duplicate". Seller recognizes the need of filling orders promptly and agrees that it will use its best efforts to make shipments on the dates agreed to by Purchaser and Seller, provided such dates are reasonable and in line with manufacturing schedules; but, Seller shall not be liable for any damages for failure to make shipments on time due to fire, strikes, lockouts, differences with workmen, accidents, war, insurrection, delays in transportation, equipment failure, shortage of cars, trucks, fuel or material, governmental interference or regulation, acts of God or any other contingencies beyond Seller's control.

Handling & Shipment

Purchaser will pay freight and transportation charges, upon delivery of materials, or in accordance established terms. All orders are, FOB carrier at Seller's plant, all risks of loss, damage and other incidents of ownership shall immediately pass to Purchaser, but title to such materials will be retained by Seller as security for Purchaser's performance until payment in full is received.

Warranty

The following is in lieu of all warranties, express, implied or statutory including but not limited to any express or implied warranties of merchantability or fitness for a particular purpose, warranties are made by Purchaser, or any other obligations on the part of the Seller. Seller warrants that at the time of delivery, the materials/goods delivered under this contract will conform to specifications, and will be free from defects in materials and workmanship.

Storage

All materials, painted or bare, aluminum, galvanized or galvalume sheets have a good service life when exposed to normal weather conditions. However, these sheets are subject to stain or other surface damage when water sits upon or becomes trapped between sheets. If sheets are to be stored for any period of time they should be unbundled and stood on end against an interior wall. Metal should be spread or fanned out at their bottom ends to allow for air circulation and should be off the ground on blocks. If storage is to be for a day or two, keep the metal inside in a bundle off the ground on blocks. Never cover material with plastic as this promotes sweating. Failure to follow these steps may result in wet storage stain and premature white rusting, which the manufacturer cannot be held responsible for.

Cutting / Drilling

When using a power saw or drill to cut or drill metal panels, several precautions must be taken. Place the bottom (interior) surface of the sheets up and cover with a tarp to protect the top (exterior) surface from the hot metal filings to reduce the chance of damage. When doing the actual cutting or drilling, be sure to wear protective eyeglasses and cut or drill in an area away from other unused or installed panels. Metal filing may become embedded in the surface of the sheet and if left alone will quickly rust. Be sure to wipe all filings from both surfaces before application. Failure to follow these precautions can void the warranty.

Returns

In exception to manufacture errors, the following applies to all returns:

There will be no returns accepted without a Return Memo. All returns are subject to a 30% restocking fee. All returns must be wrapped and in saleable condition. No returns after 60 days from date of shipment. Job cut materials or custom colored materials will not be accepted for return.



RUSH RIVER
steel & trim

www.rushriversteel.com

